

REINVENTING THE

RAMP-READY SLIDER,

REVITALIZING YOUR BOTTOM LINE

H RAMP-READY SLIDER

HTHKR

Lightweight slider option delivers your competitive edge

Seize the competitive edge of Hendrickson air ride with our ramp-ready slider suspension system. Our patented HTHKR sliders offer a roomy bay for storage of your walk ramp and eliminate the need for heavy, expensive spacer tubes. This lightweight slider option, featuring our unique K-2™ slider and HT SERIES suspensions delivers a softer ride for maximum cargo protection and provides the road stability and rugged reliability you demand. Elevated productivity and unequalled performance keeps your trailers on the road longer, doing what they are supposed to do — earn you revenue.

Capacity: 40,000 pounds



HK slider — a tried and true industry workhorse

HK sliders feature HT SERIES suspensions with Hendrickson's rigid axle / beam connection and proven TRI-FUNCTIONAL® Bushing for an ideal combination of ride softness and stability. We back the HTHKR with an unparalleled Hendrickson support team and outstanding warranty.



TRI-FUNCTIONAL® Bushing



For The Road Ahead™

H HENDRICKSON

Enhanced Productivity

- Lightweight — reduces trailer weight by up to 342 pounds
- Smooth ride — fewer damage claims and unlimited cargo hauling options

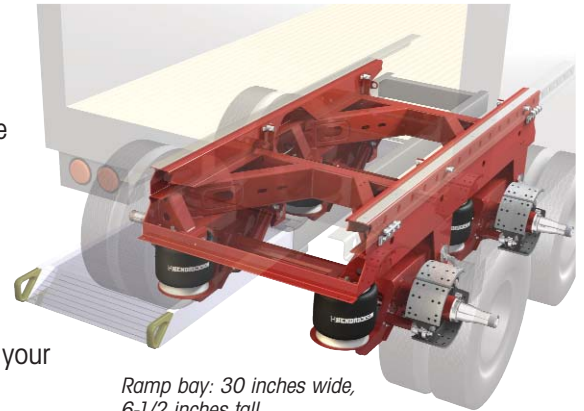
Easy installation or Retrofit

- Installs using standard body rails — no spacer tubes
- Available for four- or six-inch body rail hole spacing
- Simply change out bogies and add a ramp to retrofit a standard trailer
- Uses standard Hendrickson components and parts



Proven Reliability and Performance

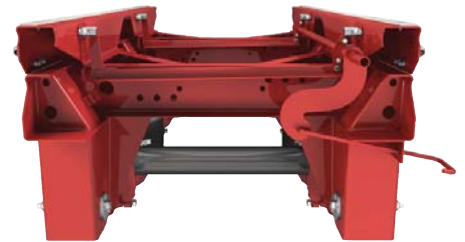
- Patented K-2™ slider increases durability while simplifying plumbing and maintenance
- Quality materials and fewer parts translate into more time on the road earning revenue
- Outstanding ride quality protects trailer structure, hardware and electronics; extends trailer life, and gives you another tool to attract and retain drivers
- QUIK-ALIGN®, our easy, accurate axle-alignment system, keeps your trailers in alignment longer and speeds realignment
- Hendrickson's industry leading warranties and unmatched customer support



Ramp bay: 30 inches wide,
6-1/2 inches tall

Options

- Ride heights: 9 inches to 12 inches
- Contact your dealer to spec a ramp



Contact your local dealer or call Hendrickson toll free at 1-866-RIDEAIR (743-3247)
for solutions to your loading dock concerns and spec the HTHKR ramp-ready slider system.

Visit our web site at www.hendrickson-intl.com.

www.hendrickson-intl.com



Trailer Suspension Systems
250 Chrysler Drive, Unit #3
Brampton, ON Canada L6S 6B6
905.789.1030
Fax 905.789.1033

Trailer Suspension Systems 866.RIDEAIR (743.3247)
2070 Industrial Place SE 330.489.0045
Canton, OH 44707-2641 USA Fax 800.696.4416

Trailer Suspension Systems
Av. Industria Automotriz #200
Parque Industrial Stiva Aeropuerto
Apodaca, N.L., México C.P. 66600
(52) 81 8288 1300
Fax (52) 81 8288 1301