

# **H** PARTS LIST

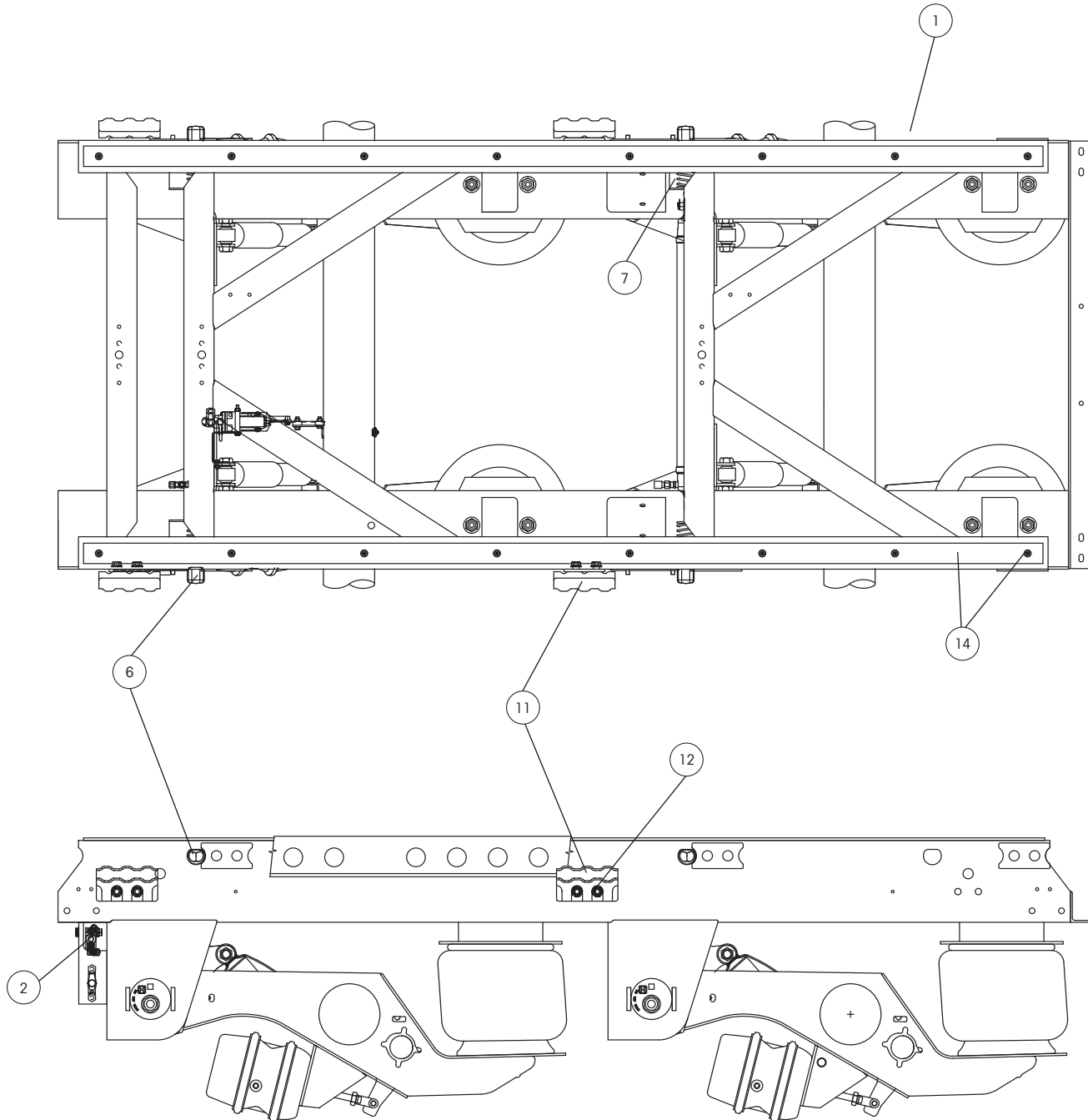
## VANTRAAX® HKAL

LIT NO: L1080

DATE: September 2011

---





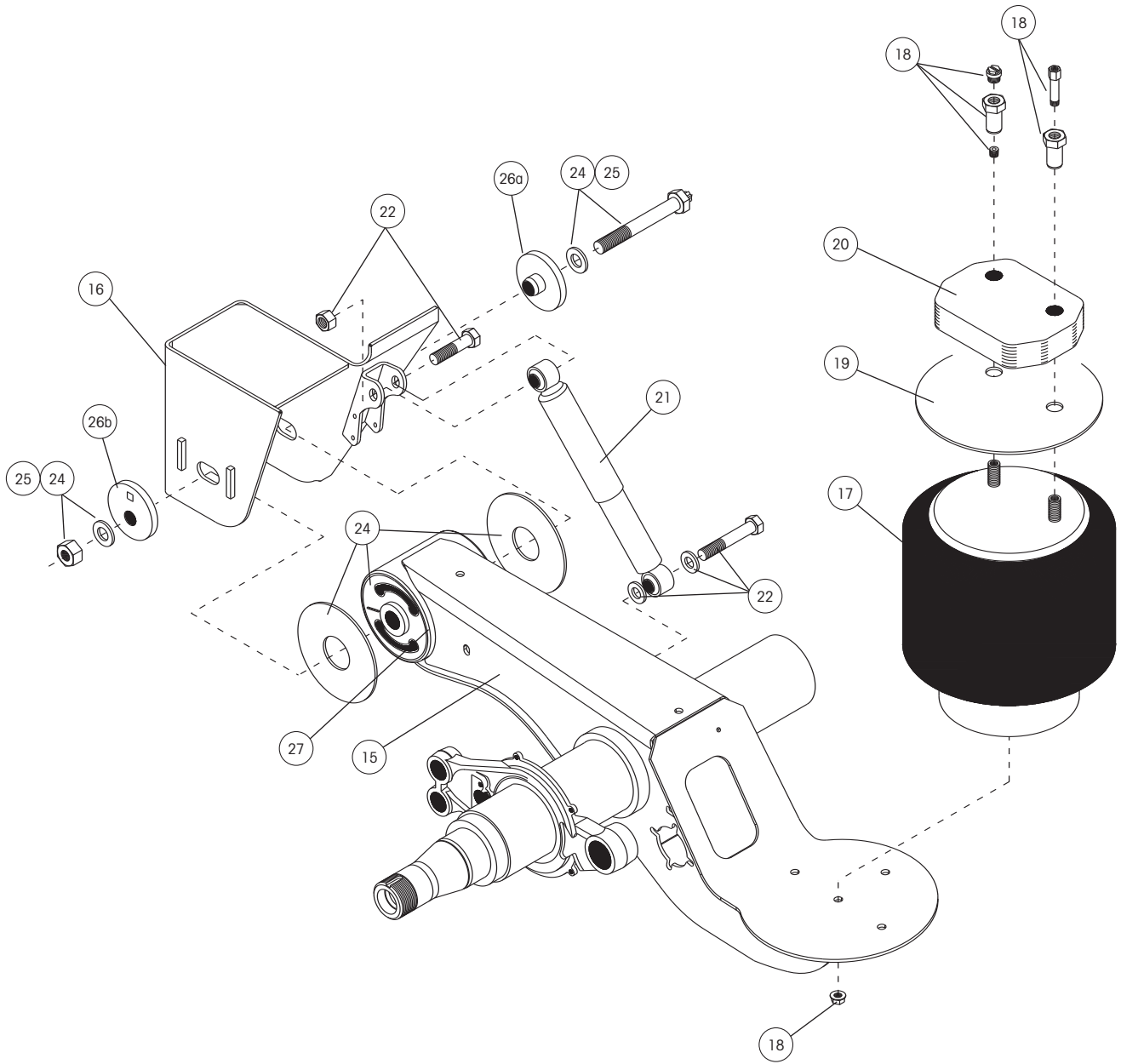
Note: Identification tag can be found on the roadside slider box rail above the front frame bracket. There will also be a blank INTRAAX® tag on the inside of the curbside beam.

**SLIDER BOX ASSEMBLY**

ITEM	DESCRIPTION	PART NO.	SYSTEM QTY.	NOTE
1	<b>AFTERMARKET SLIDER BOX REPLACEMENT</b>	AMBOX.###	1	Please contact Hendrickson for assistance
2	<b>QUIK-DRAW® PNEUMATIC PIN-PULL MECHANISM</b>			
2a	Front Linear Actuator with Fittings, 42" Box	S-28061-1	1	
2b	Rear Linear Actuator with Fittings, 42" Box	S-28062-1	1	
2c	Front Linear Actuator with Fittings, 48" Box	S-28061-2	1	
2d	Rear Linear Actuator with Fittings, 48" Box	S-28062-2	1	
3	<b>QUIK-DRAW VALVE</b>			
3a	Three-way Auto Reset Valve	VS-25223	1	Includes valve only
3b	Three-way Auto Reset Valve Assembly with Fittings	VS-25224	1	Includes valve and fittings
4	<b>QUIK-DRAW VALVE SPACER</b> (not shown)	B-25284	1	
5	<b>QUIK-DRAW RETROFIT KIT</b> (not shown)			Includes actuators, valve, plumbing hardware and instructions
5a	42" Box	D-25430-2	1	
5b	48" Box	D-25430-8	1	
6	<b>LOCKING PIN</b>			
6a	1.375" Diameter Pin	S-28290	4	6" body rail hole spacing or 4" body rail hole spacing (TTMA)
6b	1.625" Diameter Pin	S-28289	4	4" body rail hole spacing
7	<b>LOCKING PIN SPRING</b>			
7a	48" Box with QUIK-DRAW	B-28930	4	3.25" spring
7b	42" Box with QUIK-DRAW	B-22000	4	3.8" spring
8	<b>CLEVIS PIN</b> (not shown)	SA-5200-6	4	3/8" x 1 3/8"
9	<b>LOCKING PIN WASHER</b> (not shown)	SA-1500-2	6	3/8" I.D. flat washer
10	<b>LOCKING COTTER PIN</b> (not shown)	A-29557	6	
11	<b>BODY RAIL CLIP</b>			
11a	3.4" Clip Height	S-24459	4	Use with 1.625" locking pin and 4" body rail hole spacing or 1.375" locking pin and 4" body rail hole spacing (TTMA)
11b	3.8" Clip Height	S-24460	4	Use with 1.375" locking pin and 6" body rail hole spacing
12	<b>BODY RAIL BOLT</b>	SA-6900-2	8	1/2"-13 x 1 1/2" flanged bolt
13	<b>BODY RAIL CLIP SPACER</b> (not shown)			
14a	1.5" Clip Hole Centers	A-21282	4	
14b	2" Clip Hole Centers	A-22367	4	
14	<b>SLIDER WEAR PAD KIT</b> (not shown)	S-14342-3	2	Includes (1) slider wear pad and hardware

Note: Narrow hanger shown. Pin pull mechanisms are identical for both wide and narrow width slider models.

Note: Identification tag can be found on the roadside slider box rail above the front frame bracket. There will also be a blank INTRAAX® tag on the inside of the curbside beam.



Note: Identification tag can be found on the roadside slider box rail above the front frame bracket. There will also be a blank INTRAAX® tag on the inside of the curbside beam.

**SUSPENSION ASSEMBLIES**

ITEM	DESCRIPTION	PART NO.	SYSTEM QTY.	NOTE
15	HTRAAX AXLE / BEAM WELDMENT	HTRAAX.###	2	Contact Hendrickson for assistance
16	FRAME BRACKET ASSEMBLY			
	16a Roadside	D-26067-1L	2	10" ride heights
	Curbside	D-26067-1R	2	10" ride heights
	16b Roadside	D-26067-2L	2	11" ride heights
	Curbside	D-26067-2R	2	11" ride heights
17	AIR SPRING	S-23613		
18	AIR SPRING MOUNTING KIT (per air spring)	S-22631/2	2	Includes Spiralock nuts, pipe plug and flange nut
19	AIR SPRING PLATE	S-23294	2	
20	UPPER AIR SPRING SPACER	B-22510-2		10" and 11" ride height (1.875" thick)
21	SHOCK ABSORBER	S-23566	4	Standard duty
22	SHOCK BOLT KIT (per shock)	S-24757/2	4	Includes shear bolt, spacer, washers, hex bolt and hex nut
23	SHOCK STRAP KIT (not shown)	C-23086-1	4	Includes (2) straps, (2) clevis and (4) ties
24	TRI-FUNCTIONAL® PIVOT BUSHING KIT <sup>1</sup>	S-24691	2	Includes (1) bushings, (1) pivot bolt kits, (2) bushing tube spacers and lubricant pack
25	QUIK-ALIGN® PIVOT BOLT KIT	S-24679	2	Contains 10" bolt, nut and hardened washers
26	ALIGNMENT COLLAR			
	26a Concentric	S-20924	4	Pivot bolt hole is centered
	26b Eccentric	S-20925	4	Pivot bolt hole is offset from center
27	BUSHING TUBE SPACER	S-21099		

<sup>1</sup>Bushing tool S-21307 is required to properly re-bush the suspension.

Note: Identification tag can be found on the roadside slider box rail above the front frame bracket. There will also be a blank INTRAAX® tag on the inside of the curbside beam.





---

[www.hendrickson-intl.com](http://www.hendrickson-intl.com)



Trailer Commercial Vehicle Systems  
250 Chrysler Drive, Unit #3  
Brampton, ON Canada L6S 6B6  
905.789.1030  
Fax 905.789.1033

Trailer Commercial Vehicle Systems  
2070 Industrial Place SE  
Canton, OH 44707-2641 USA

866.RIDEAIR (743.3247)  
330.489.0045  
Fax 800.696.4416

Hendrickson Mexicana  
Av. Industria Automotriz #200  
Parque Industrial Siiva Aeropuerto  
Apodaca, N.L., México C.P. 66600  
+52 (81) 8288.1300  
Fax +52 (81) 8288.1301