

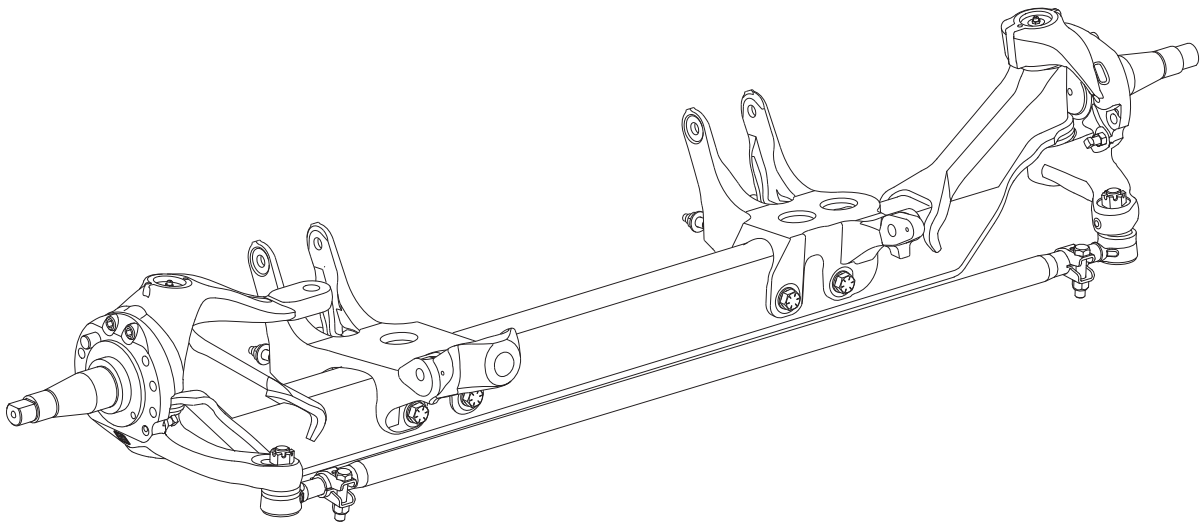
PARTS LIST

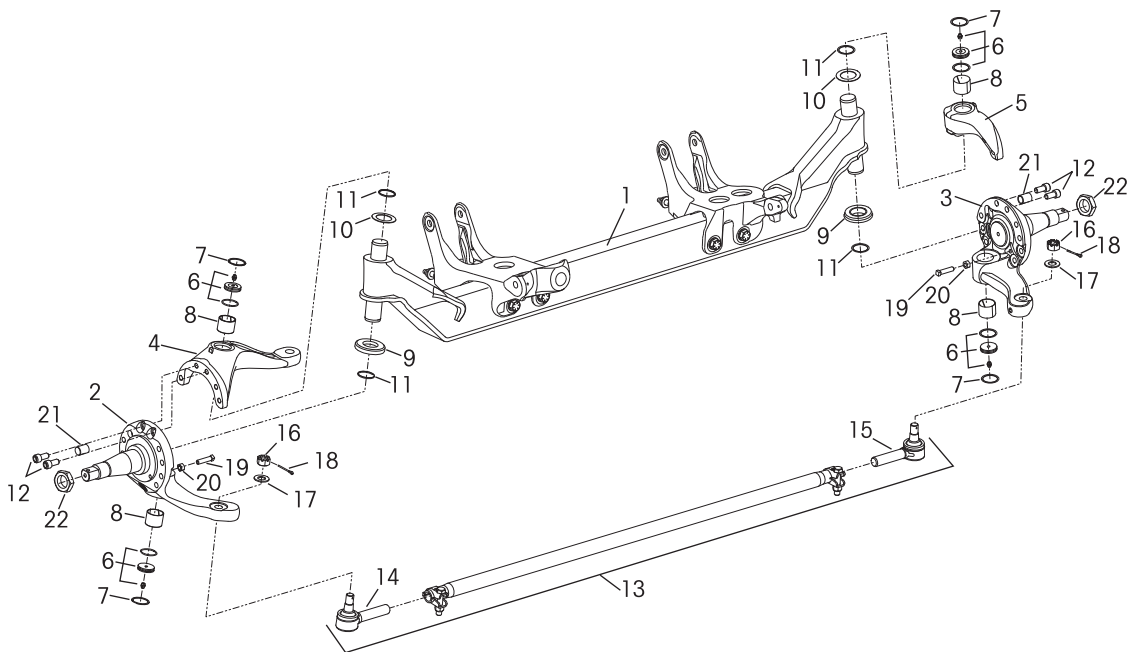
STEERTEK for International Truck Multilink FAS

LIT NO: SP-215

DATE: August 2008

REVISION: B





KEY NO.	PART NO.	DESCRIPTION	NO. REQ.
1	66906-002	*Axle & Kingpin Assembly with Axle Brackets 12K, 4.25 Drop, 70.9 KPI, <i>Replaces 66906-001</i>	1
2	58900-075 58900-073	LH Lower Steering Knuckle Assembly <200 Ackermann, Short Wheel Base >200 Ackermann, Long Wheel Base	1
3	58900-076 58900-074	RH Lower Steering Knuckle Assembly <200 Ackermann, Short Wheel Base >200 Ackermann, Long Wheel Base	1
4	60903-042 60903-056	LH Upper Steering Knuckle Assembly Pro Star Vehicles Lone Star Vehicles	1
5	60904-034 60961-039	RH Upper Steering Knuckle Assembly Kingpin Bushing w/Roller Thrust Bearing Service Kit, One Side, Includes Key Nos. 6-12, Loctite	1
	60961-042	Roller Thrust Bearing Service Kit, Includes Key Nos. 9-12, Loctite	
6	59156-000	Grease Cap Assembly	4
7	58937-000	Retaining Ring	4
8	58909-000	Kingpin Bushing	4
9	64256-000	Roller Thrust Bearing	2
10	60259-002	Kingpin Shim 0.047"	2
Not Shown	60259-001	Kingpin Shim 0.005" (May be needed for service)	

KEY NO.	PART NO.	DESCRIPTION	NO. REQ.
11	58910-000	Kingpin Seal	4
12	60236-001	5/8"-11 UNC Socket Head Cap Screw	4
Not Shown	60937-000	Loctite (Red) Compound Tube	1
13		Tie Rod Assembly 12K, 4.25 Drop, 70.9 KPI, 8.35" Ride Ht., Includes Key Nos. 14-16	1
	60239-001	<200 Ackermann, Short Wheel Base	
	60239-002	>200 Ackermann, Long Wheel Base	
	60961-010	Tie Rod End Service Kit, Axle Set, Includes Kit Nos. 60961-025 & -026	
	60961-025	LH Tie Rod End Service Kit, Includes Key Nos. 14, 16-18	
	60961-026	RH Tie Rod End Service Kit, Includes Key Nos. 15-18	
14	64000-001	LH Tie Rod End	1
15	64000-002	RH Tie Rod End	1
16		**7/8" Castle Nut	2
17	22962-007	7/8" Flat Washer	2
18	17800-004	Cotter Pin	2
19	60238-001	1/2"-13 UNC Square Head Bolt	2
20	60240-000	1/2"-13 UNC Hex Jam Nut	2
21	64246-000	ABS Sensor Sleeve	2
22	64578-000	1 1/2"-12 UNF Inner Wheel Bearing Adj. Nut	2

NOTE:

- * New air springs will be required when replacing the axle assembly, use International Truck's new air spring Part No. 3627997C2 (replaces Part No. 362797C1).
- ** Item included in assembly only, part not sold separately.

This is a general parts list to provide directional information, components may vary by model. For part questions, contact Hendrickson Sales Engineering at 630.910.2800 or email: truckparts@hendrickson-intl.com.

www.hendrickson-intl.com



Truck Suspension Systems
800 South Frontage Road
Woodridge, IL 60517-4904 USA

630.910.2800
Fax 630.910.2899