

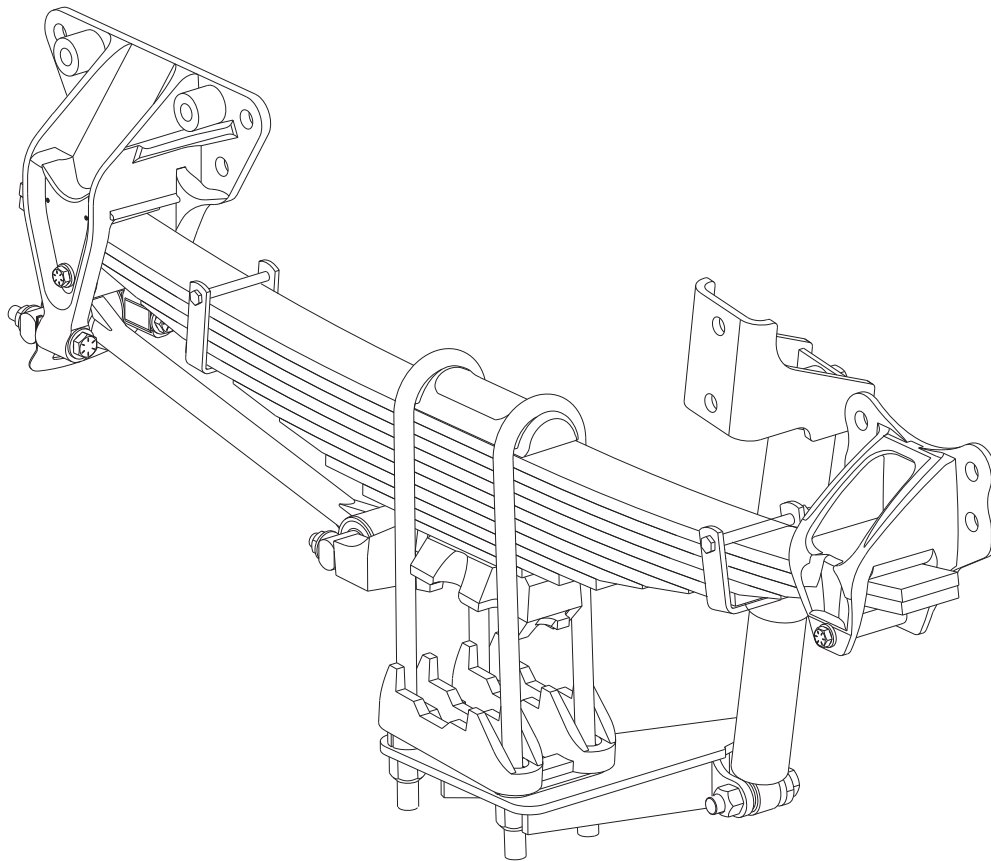
H PARTS LIST

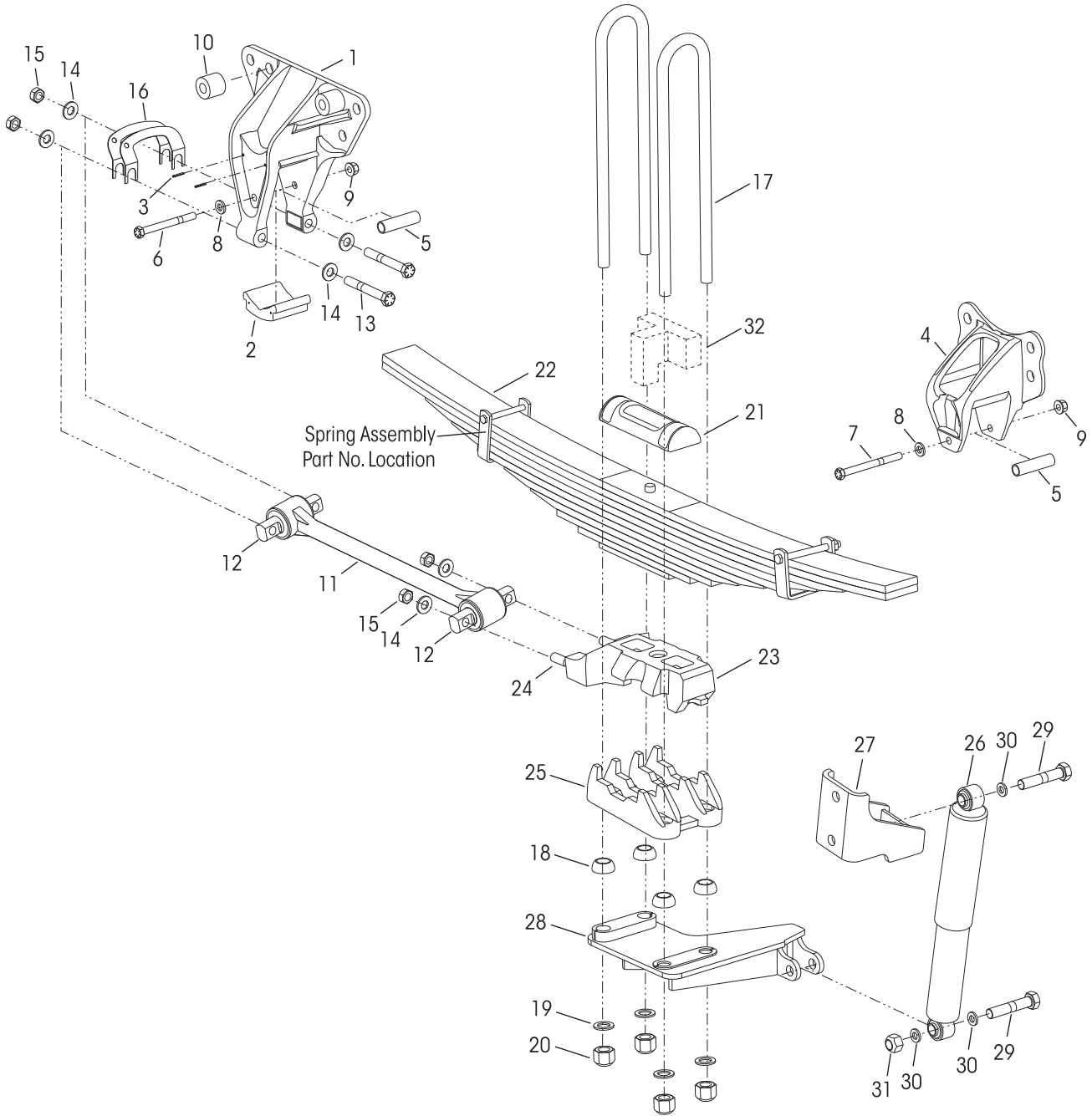
HTS™ 190/210 for Autocar

LIT NO: SP-228

DATE: October 2011

REVISION: A







KEY NO.	PART NO.	DESCRIPTION	NO.REQ.	KEY NO.	PART NO.	DESCRIPTION	NO.REQ.
1	58425-001	Front Spring Hanger Assembly, Includes Key Nos. 2-3	2	18	48574-000	7/8" Spherical Washer	8
2	56929-000	Slipper Pad	2	19	22962-002	7/8" Flat Washer	8
3	58287-001	Retainer Lock Pin	4	20	50765-000	7/8"-14 UNF-2B Nut	8
4	50028-001	Rear Spring Hanger	2	21	48797-000	Top Pad	2
5	58631-000	Rebound Roller	4	22		Spring Assembly	2
6	24531-015	1/2"-11 UNC-2B X 5.50" Hex Bolt	2		53291-000	HTS 190	
7	24531-014	1/2"-11 UNC-2B X 5.0" Hex Bolt	2		53292-000	HTS 210	
8	22962-014	1/2" Flat Washer	4	23	50970-005	Spring Seat Assembly, Includes Key Nos. 14-15, 24	2
9	60819-000	1/2"-11 UNC-2B Flange Nut	4	24	50918-000	5/8"-11 UNC Stud	4
10	59946-002	Spacer	4	25	50216-000	Axle Bottom Cap	2
11	62044-505	Longitudinal Torque Rod Assembly, Includes Key No. 12	2	26	60665-025	Shock Absorber	2
12	47691-000L	Torque Rod Bushing	4	27	67530-000	Upper Shock Bracket	2
13	32043-005	5/8"-11 UNC X 4.50" Hex Bolt	4	28		Lower Shock Bracket	
14	22962-004	5/8" Flat Washer	12		67556-003	Left Hand	1
15	47764-000	5/8"-11 UNC Locknut	8		67556-004	Right Hand	1
16	49689-000	Torque Rod Shim	As Req.	29	50764-004	3/4"-10 UNC X 3.75" Hex Bolt	4
	48718-149	U-bolt Fastener Service Kit, Axle Set, Includes Key Nos. 17-20		30	22962-001	3/4" Washer	6
17	47417-010	7/8"-14 UNF- 2A U-Bolt 19.0"	4	31	49842-000	3/4"-10 UNC Nut	2
				32		*Bump Stop	2

NOTES

* Not supplied by Hendrickson, used for reference only. Refer to vehicle manufacturer for more information. Hendrickson is not responsible for components supplied by vehicle manufacturer. For assistance with maintenance and rebuild instructions on these components see vehicle manufacturer.

This is a general parts list to provide directional information. Components may vary by model. Questions in regards to parts, contact Hendrickson Truck Parts at 1.866.755.5968 (Toll-free U.S. and Canada), 630.910.2800 (Outside U.S. and Canada) or e-mail: truckparts@hendrickson-intl.com.

www.hendrickson-intl.com



Truck Commercial Vehicle Systems
800 South Frontage Road
Woodridge, IL 60517-4904 USA

1.866.755.5968 (Toll-free U.S. and Canada)
630.910.2800 (Outside U.S. and Canada)
Fax 630.910.2899