

PARTS LIST

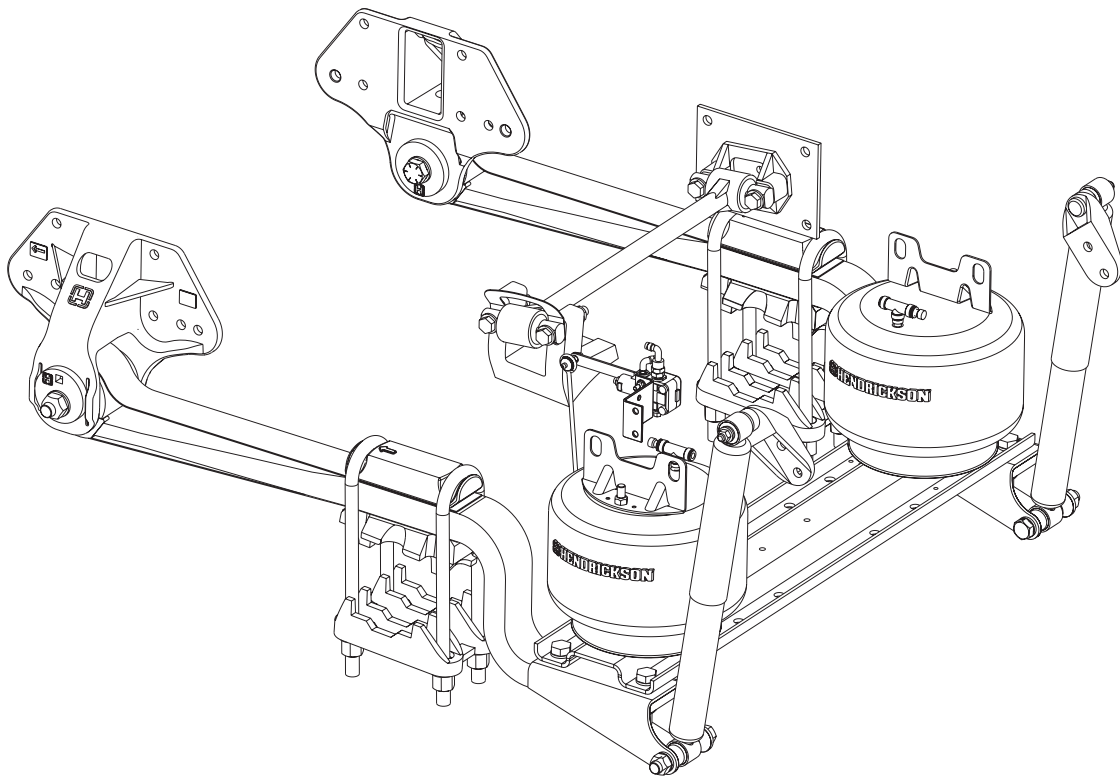
COMFORT AIR®

Single-Axle Air Suspension for
Hino Conventional Vehicles

LIT NO: SP-178

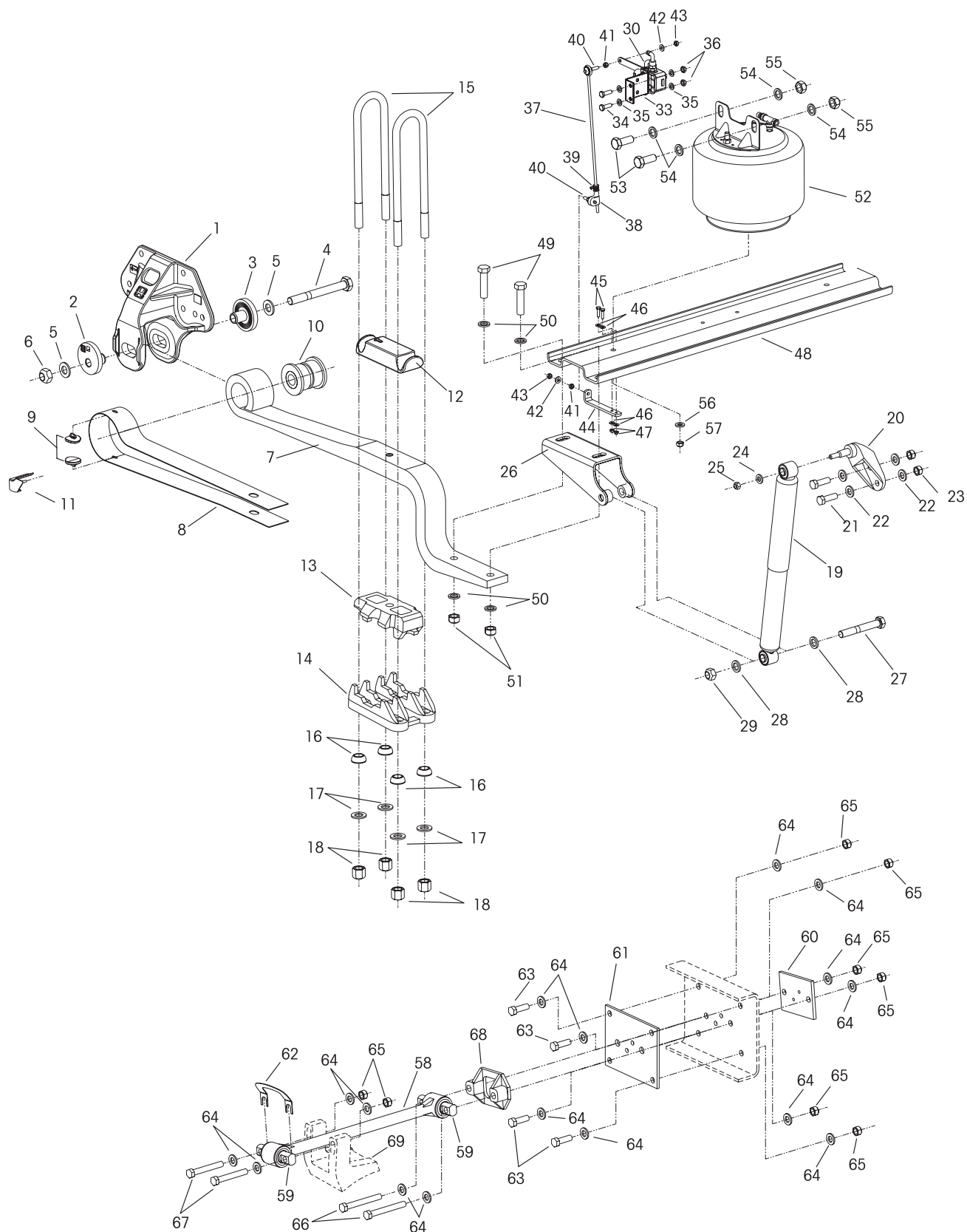
DATE: September 2004

REVISION: A



For The Road Ahead™

 HENDRICKSON





KEY NO.	PART NO.	DESCRIPTION	NO.REQ.	KEY NO.	PART NO.	DESCRIPTION	NO.REQ.
1		Spring Hanger			58994-032	Linkage Rod Assembly (Includes Key Nos. 37-43)	1
	65081-001	Left Hand	1	37	--	*Linkage Rod	1
	65081-002	Right Hand	1	38	--	*Valve Arm Joint	1
	65119-002	QUIK-ALIGN Right Hand Service Kit (Includes Key Nos. 3-6)		39	--	*Valve Arm Clamp	1
	65119-001	QUIK-ALIGN Left Hand Service Kit (Includes Key Nos. 2-6)		40	--	*5/16" -18 UNC Stud	2
2	60662-000	QUIK-ALIGN Eccentric Base	1	41	--	*5/16" -18 UNC Jam Nut	2
3	60661-000	QUIK-ALIGN Concentric Base	3	42	--	*5/16" Washer	2
4	58705-005	7/8"-9 UNC x 8" Long Dacromet Bolt	2	43	--	*5/16" -18 UNC Locknut	2
5	22962-034	7/8" Dacromet Hardened Washer	4	44	65090-000	HCV Lower Linkage Bracket	1
6	60266-000	7/8"-9 UNC Dacromet Locknut	2	45	65091-001	M6 x 1 Bolt 30mm	2
	65106-001	Main Support Member Ass'y (Includes Key Nos. 7-11)	2	46	58246-016	M6 Hardened Washer	4
7	65106-000	Main Support Member	1	47	65092-000	M6 x 1 Locknut	2
8	--	*Flex-Wrap	1	48	57317-007	Cross Channel	1
	34013-109	Main Support Member Bushing Service Kit (Includes Key Nos. 4-6, and 9-11)			57499-003	Cross Channel Fastener Service Kit (Includes Key Nos. 49 - 51)	
9	59770-000	Isolator Pad	1	49	58258-001	M20 x 2.5 Bolt 80mm	4
10	58648-000	MSM Bushing	1	50	58246-007	M20 Hardened Washer	8
11	60392-000	Spring Eye Clip	1	51	58259-000	M20 x 2.5 Locknut	4
12	65071-000	Top Pad	2	52	65086-002	Air Spring Ass'y	2
13	56501-005P	Spring Seat - 4°	2		58820-005	Air Spring Fastener Service Kit (Includes Key Nos. 53 - 57)	
14	50216-000	Axle Bottom Cap	2	53	58258-004	M20 x 2.5 Bolt 50mm	4
	58818-011	U-Bolt Bracket Fastener Kit (Includes Key Nos.15-18)		54	58246-007	M20 Hardened Washer	8
15	58184-001	M22 x 1.5 U-Bolt 380mm	4	55	58259-000	M20 x 2.5 Locknut	4
16	48574-001	Spherical Washer	8	56	58246-001	M12 Hardened Washer	2
17	58246-005	M22 Hardened Washer	8	57	65089-000	M12 x 1.25 Locknut	2
18	58253-000	M22 x 1.5 High Nut	8	58	62000-595	**Transverse Torque Rod Ass'y 595mm (Includes Key No. 59)	1
19	60670-013	Shock Absorber	2	59	47691-000	Torque Rod Barpin Bushing	1
20	58516-002P	Upper Shock Bracket	2	60	65137-000	Outer Reinforcement Plate	1
	65118-002	Upper Shock Bracket Service Kit (Includes Key Nos. 21- 25)		61	65095-000	Inner Reinforcement Plate	1
21	58244-002	M16 x 2 Bolt 50mm	4		58819-004	Transverse Torque Rod Fastener Service Kit (Includes Key Nos. 62- 67)	
22	58246-003	M16 Hardened Washer	8	62	49689-000	Shim (1.5mm)	1
23	58245-000	M16 x 2 Locknut	4	63	58244-002	M16 x 2 Bolt 50mm	4
24	58246-001	M12 Hardened Washer	2	64	58246-003	M16 Hardened Washer	16
25	58248-000	M12 X 1.75 Locknut	2	65	58245-000	M16 x 2 Locknut	8
26	65098-000	Lower Shock Bracket	2	66	58244-005	M16 x 2 Bolt 130mm	2
27	58258-005	M20 x 2.5 Bolt 140mm	2	67	58244-009	M16 x 2 Bolt 110mm	2
28	58246-007	M20 Hardened Washer	4	68	22186-000	Transverse Torque Rod Frame Bracket	1
29	58259-000	M20 x 2.5 Locknut	2	69	--	Transverse Torque Rod Axle Bracket Supplied by Vehicle Manufacturer	1
	65115-000	Height Control Valve System (Includes Key Nos. 30-33)	1	Not Shown	60298-003	Torque Requirements Decal	
30	60501-000	Height Control Valve	1				
31	22962-028	1/4" HCV Washer (not shown)	2				
32	49983-000	1/4" HCV Hex Nut (not shown)	2				
33	65097-000	HCV Mounting Bracket	1				
	65121-001	HCV Upper Frame Fastener Service Kit (Includes Key Nos. 34-36)					
34	58573-004	M10 x 1.5 Bolt 30mm	2				
35	58246-008	M10 Hardened Washer	4				
36	58581-000	M10 x 1.5 Locknut	2				

* Item included in assembly only, part not sold separately.

**Hendrickson two piece torque rods can be used to create the desired torque rod length, see literature number 45745-149 for more information. Hendrickson's literature is also available on our website: www.hendrickson-intl.com.

HENDRICKSON SERVICE KITS QUICK REFERENCE

65119-002	QUIK-ALIGN Right Hand Service Kit
65119-001	QUIK-ALIGN Left Hand Service Kit
34013-109	Main Support Member Bushing Service Kit
58818-011	U-Bolt Bracket Fastener Kit
65118-002	Upper Shock Bracket Service Kit
65121-001	HCV Upper Frame Fastener Service Kit
57499-003	Cross Channel Fastener Service Kit
58820-005	Air Spring Fastener Service Kit
58819-004	Transverse Torque Rod Fastener Service Kit

This is a general parts list to provide directional information. Components may vary by mode. For questions, contact Hendrickson Tech Services at 630-910-2800 (email techservices@hendrickson-intl.com).



Information contained in this literature was accurate at the time of publication. Product changes may have been made after the copyright date that are not reflected.

www.hendrickson-intl.com