

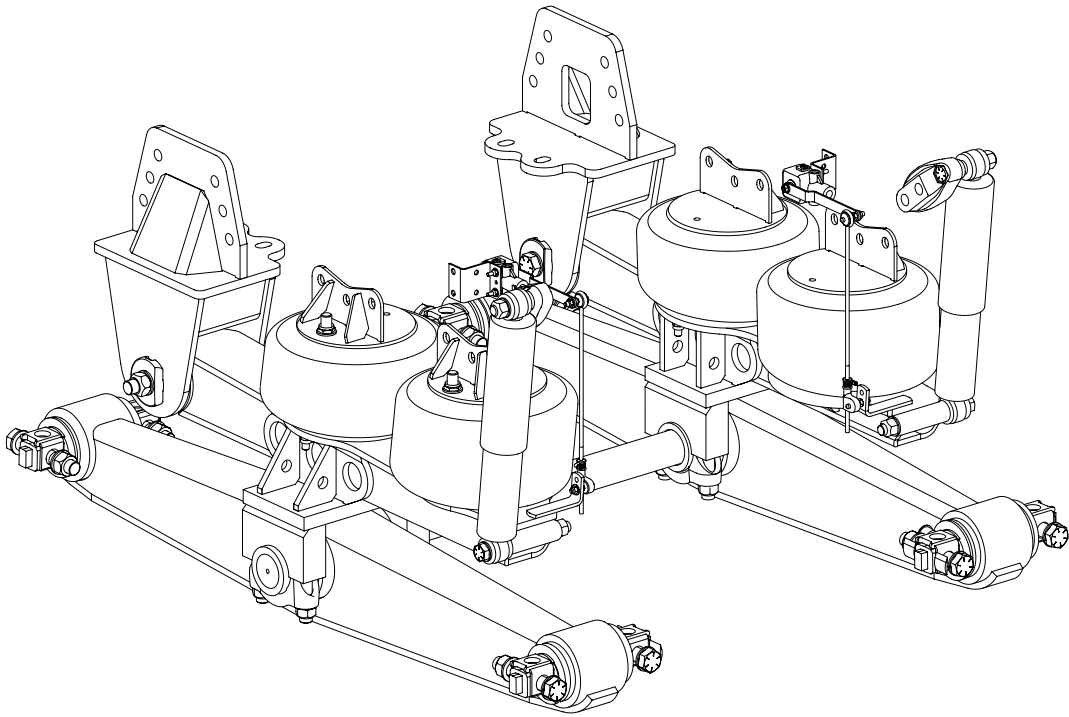
H PARTS LIST

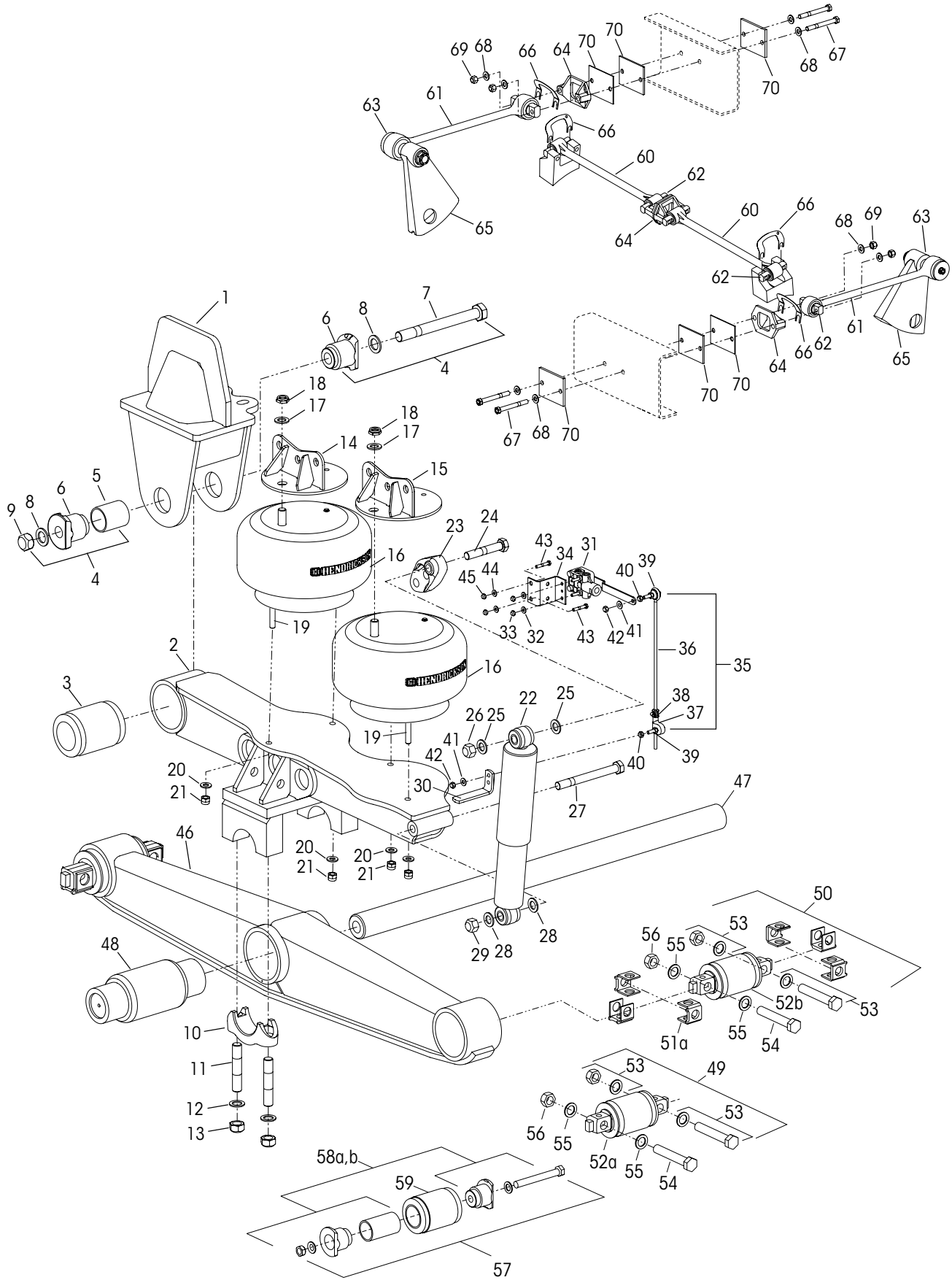
AR2™ 400/460 Rear Air Suspension

LIT NO: SP-177

DATE: April 2014

REVISION: C







KEY NO.	PART NO.	DESCRIPTION	NO.REQ.	KEY NO.	PART NO.	DESCRIPTION	NO.REQ.
1		LH Frame Hanger Assembly - Blank	1	35	58994-001	Height Control Valve Linkage Assembly Includes Key Nos. 36-42	1
	65461-001	33.94-34.19" Frame Width		36		*Linkage Extension Rod	1
	65461-003	34.25-34.50" Frame Width		37		*Adj. Valve Arm Joint	1
	65461-005	34.56-34.81" Frame Width		38		*Valve Arm Clamp	1
Not Shown		RH Frame Hanger Assembly - Blank	1	39		*5/16"-18 UNC Stud	2
	65461-002	33.94-34.19" Frame Width		40		*5/16"-18 UNC Jam Nut	2
	65461-004	34.25-34.50" Frame Width		41		*5/16" Hardened Washer	2
	65461-006	34.56-34.81" Frame Width		42		*5/16"-18 UNC Locknut	2
2		Trailing Arm Assembly, Includes Key Nos. 3, 10-13			57430-004	Height Control Valve Bracket Fastener Service Kit , Includes Key Nos. 43-45	
		• Left Hand	1	43	58035-004	3/8"-16 UNC 1.25" Bolt	4
	65655-001	AR2 400 - 9.5"		44	22962-015	3/8" Hardened Washer	4
	65655-003	AR2 400 - 10.5"		45	17700-006	3/8"-16 UNC Nylocknut	4
	65655-005	AR2 460 - 9.5"		46		Equalizing Beam Assembly See Selection Guide 45745-147	2
	65655-007	AR2 460 - 10.5"		47	44643-009L	Cross Tube 44 7/8", (If converted from RT/RTE suspension, refer to Lit. No. SP-168 Parts List)	1
		• Right Hand	1	48		**Rubber Center Bushing	2
	65655-002	AR2 400 - 9.5"			49400-000L	AR2-400	
	65655-004	AR2 400 - 10.5"			49600-000L	AR2-400 w/Loose End Plug	
	65655-006	AR2 460 - 9.5"			29483-005L	AR2-460	
	65655-008	AR2 460 - 10.5"			34013-097	AR2-460 w/Loose End Plug	
		Trailing Arm Bushing Service Kit, One Beam End , Includes Key Nos. 3-4				Bar Pin End Bushing Kit, One Wheel End	
	34013-111L	AR2 400		49	34013-087L	Non-Shim Type, Includes Key No. 52a, 53	
	34013-112L	AR2 460		50	34013-088L	Shim Type, Includes Key Nos. 51 b, 52b, 53	
3		Trailing Arm Bushing	2	Not Shown	34013-188L	Rotating Shim Type, Includes Key Nos. 51b, 52c, 53	
	45900-000L	AR2 400		51 a	50130-000	Shim - 0.19"/0.19"	8
	29878-001L	AR2 460		b	50131-000	Shim - 0.25"/0.12" (as required)	
4	21140-053L	AR2 Adapter Assembly, Includes Key Nos. 5-9	2	52		*Bar Pin End Bushing	4
5	45289-003	Adapter Tube	2	a		**Non-Shim Type	
6	45871-000	Beam End Adapter	4	b		**Shim Type	
7	30550-005	1"-14 UNS 9.75" Bolt	2	c		**Rotating, Shim Type (Not Shown)	
8	22962-008	1" Hardened Washer	4	53	34013-104	Bar Pin End Bushing Fastener Kit, One Wheel End , Includes Key Nos. 54-56	
9	08017-000	1"-14 UNS Locknut	2	54		*1"-8 UNC Hex Bolt	2
10	58795-000	Saddle Cap	4	55		*1" Hardened Washer	4
11	06696-000	7/8"-14 UNF Saddle Cap Stud	8	56		*1"-8 UNC Locknut	2
12	22962-002	7/8" Hardened Washer	8	57		End Bushing and Adapter Service Kit, One Wheel End	
13	04842-000	7/8"-14 UNF Locknut	8		34013-049L	AR2-400, Includes Key Nos. 58a, 59	
		Air Spring Bracket			34013-073L	AR2-460, Includes Key Nos. 58b, 59	
14	65426-000	Forward	2	58		Adapter Fastener Service Kit, One Wheel End	
15	65680-000	Rear	2	a	45000-007L	AR2-400	
16	65998-002	Air Spring Assembly		b	21140-034L	AR2-460	
	65455-002	Forward	2	59	45900-000L	**Rubber End Bushing	4
	65652-002	Rear	2	60		Longitudinal Torque Rod Assembly **One-piece Straddle/Straddle • ULTRA ROD®, Includes Key No. 62a Front, Specify Length in mm 1 Rear, Specify Length in mm 1 • ULTRA ROD® PLUS™, Includes Key No. 62b Front, Specify Length in mm 1 Rear, Specify Length in mm 1 **Two-Piece Straddle/Straddle Kit • ULTRA ROD, Includes Key No. 62a 60218-000	
	49177-017	Air Spring Fasteners Service Kit, Axle Set , Includes Key Nos. 17-21			62000-XXX	Front, Specify Length in mm	1
17	22962-001	3/4" Hardened Washer	4		62001-XXX	Rear, Specify Length in mm	1
18	17700-031	3/4"-16 UNF Nylocknut	4		72000-XXX	Front, Specify Length in mm	1
19	65999-000	1/2"-13 UNC 2.25" Stud, Replaces 65454-000	8		72001-XXX	Rear, Specify Length in mm	1
20	22962-011	1/2" Hardened Washer	8		60218-000	**Two-Piece Straddle/Straddle Kit • ULTRA ROD, Includes Key No. 62a	
21	17700-010	1/2"-13 UNC Nylocknut	8	61		****Transverse Torque Rod Assembly **One-piece Straddle/Taper, Specify Length in mm • ULTRA ROD, Includes Key No. 62a-63a • ULTRA ROD PLUS, Includes Key No. 62b-63b **Two-Piece Straddle/Taper Kit • ULTRA ROD, Includes Key No. 62a-63a • ULTRA ROD PLUS, Includes Key No. 62b-63b	
22	60665-012	Shock Absorber	2		62350-XXX	Front, Specify Length in mm	1
	50754-013	Single Upper Shock Bracket and Fastener Service Kit , Includes Key Nos. 23-26	2		72350-XXX	Rear, Specify Length in mm	1
23	67463-001	Shock Bracket, Replaces 65000-001	2	62		Straddle Bushing	4
24	50764-010	3/4"-10 UNC 4.75" Bolt	2	a	47691-000	ULTRA ROD	
25	22962-001	3/4" Hardened Washer	2	b	64400-002L	ULTRA ROD PLUS	
26	49842-000	3/4"-10 UNC Locknut	2	63		Taper Bushing	2
	50754-018	Lower Shock Fastener Service Kit, Axle Set , Includes Key Nos. 27-29		a	64697-000H	ULTRA ROD	
27	50764-013	3/4"-10 UNC 7.5" Bolt	2	b	64400-004L	ULTRA ROD PLUS	
28	22962-001	3/4" Hardened Washer	4				
29	49842-000	3/4"-10 UNC Locknut	2				
30	65427-000	Lower HCV Bracket	2				
	57977-000	Height Control Valve Assembly, Includes Key Nos. 31-34	2				
31	60501-000	Height Control Valve	2				
32		*1/4" Hardened Washer	4				
33		*1/4"-20 UNC Locknut	4				
34		*Height Control Valve Bracket	1				



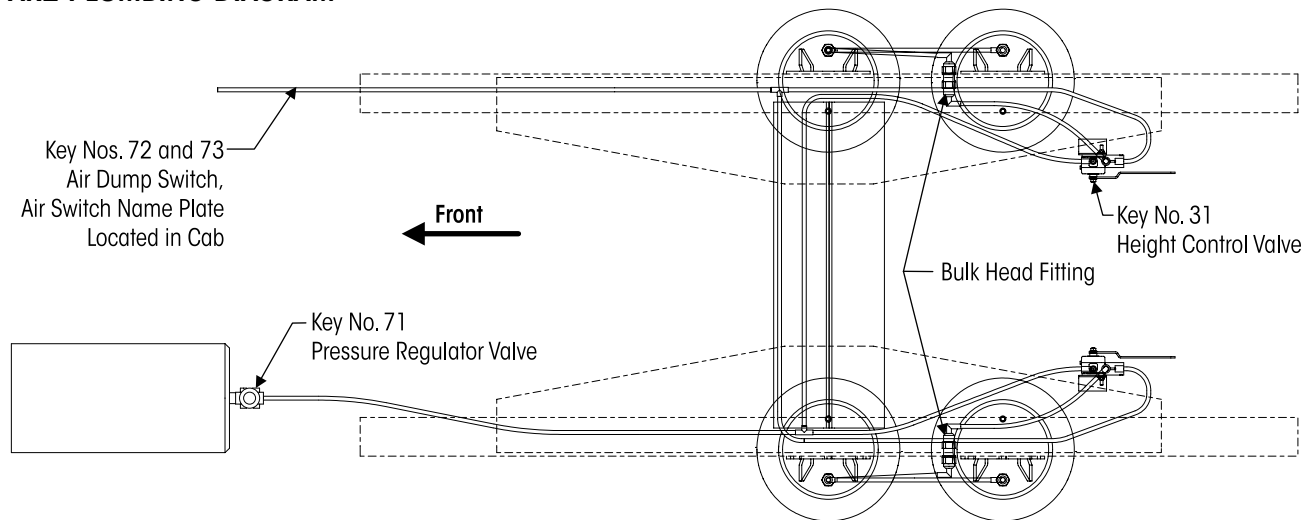
KEY NO.	PART NO.	DESCRIPTION	NO.REQ.
64	22186-000	Torque Rod Frame Bracket	4
65	46868-000	Torque Rod Axle Bracket	2
66	49689-000	Torque Rod Shim (As Required)	
67	32043-019	5/8"-11 UNC Bolt 5.50"	4
68	22962-004	5/8" Hardened Flat Washer	8
69	47764-000	5/8"-11 UNC Locknut	4
70		Backup Plate	As Req.
	45045-001	1/8" Thickness	
	45045-002	1/4" Thickness	
	45045-003	3/8" Thickness	

KEY NO.	PART NO.	DESCRIPTION	NO.REQ.
Not Shown	70867-001	Torque Rod Bushing P-80 Lubricant -10 ml. (per each bushing)	
71	65202-001	Pressure Regulator Valve, <i>See plumbing diagram</i>	1
72	66029-000	Air Dump Switch, <i>See plumbing diagram</i>	1
73	48940-000	Air Switch Name Plate, <i>See plumbing diagram</i>	1

NOTES

- * Item included in assembly only, part not sold separately.
- ** Hendrickson recommends the use of OTC installation tools for bushing replacement.
- *** Hendrickson's part number is stamped on the rod for identification. Be sure to include suffix number when ordering, (number indicates rod length). Hendrickson ULTRA ROD 2-piece torque rods can be used to create the desired length, see Lit No. 45745-148.
- **** Transverse Rods are mandatory with the AR2 Suspension regardless of axle spacing and require rubber center bushings.

AR2 PLUMBING DIAGRAM



This is a general parts list to provide directional information. Components may vary by model. Questions in regards to parts, contact Hendrickson Truck Parts at 1.866.755.5968 (Toll-free U.S. and Canada), 1.630.910.2800 (Outside U.S. and Canada) or e-mail: truckparts@hendrickson-intl.com.

www.hendrickson-intl.com



Truck Commercial Vehicle Systems
800 South Frontage Road
Woodridge, IL 60517-4904 USA

1.866.755.5968 (Toll-free U.S. and Canada)
1.630.910.2800 (Outside U.S. and Canada)
Fax 1.630.910.2899