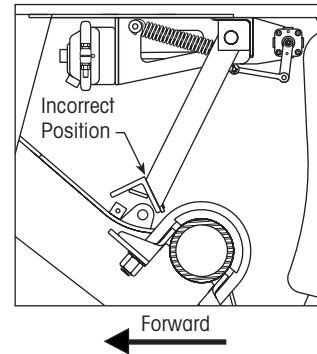
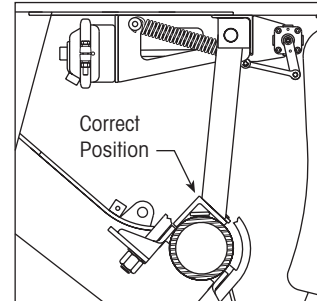


MAXILIFT® OPERATIONAL WARNINGS

⚠ WARNING

Before operating, read and understand the operating instructions thoroughly. If you have any questions concerning the operation of this system, contact the Hendrickson technical service department at 800-455-0043 in the United States or 800-668-5360 in Canada.

- MAXILIFT® requires air from the tractor for operation. **DO NOT DISCONNECT** the supply air lines from the trailer.
- **DO NOT** load or unload the trailer until the support stands are positioned over the axle as shown in the top right figure.
- Apply the tractor parking brakes before leaving the cab. The vehicle may roll and cause serious personal injury or property damage.
- Stay clear of the MAXILIFT System and trailer during its operation. The support stands move automatically and may cause serious personal injury.



Trailer Suspension Systems
2070 Industrial Place SE
Canton, OH 44707-2600 USA
800.455.0043
330.489.0045
Fax 800.696.4416

HENDRICKSON

L481 D 9-01 Printed in United States of America.

www.hendrickson-intl.com

Trailer Suspension Systems
250 Chrysler Drive, Unit #3
Brampton, ON L6S 6B6 Canada
905.789.1030
Fax 905.789.1033

The Boler Company
Copyright © 2001
All Rights Reserved.