

PARTS LIST

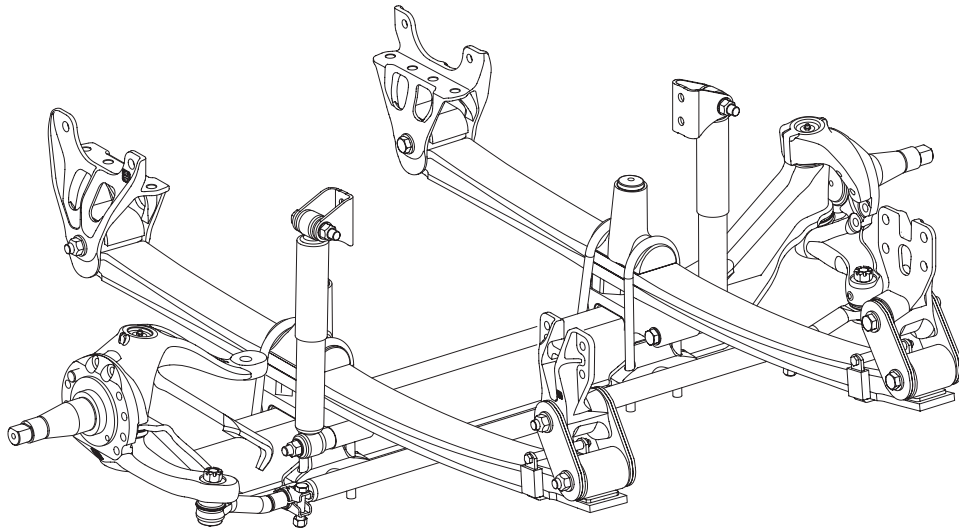
SOFTEK® for Blue Bird
Vision/All American Buses

LIT NO: SP-175

DATE: February 2007 REVISION: B

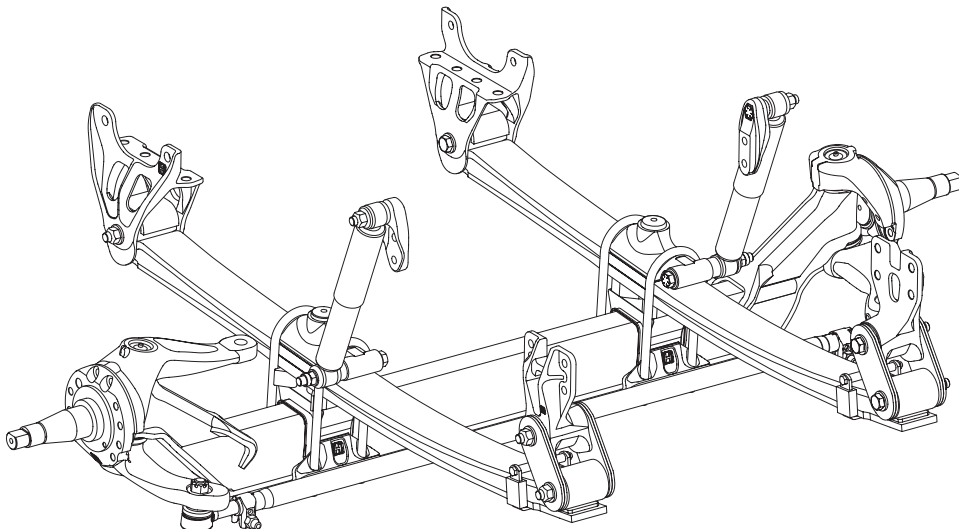
SOFTEK – Blue Bird Vision Buses – 8K/10K

Page 2

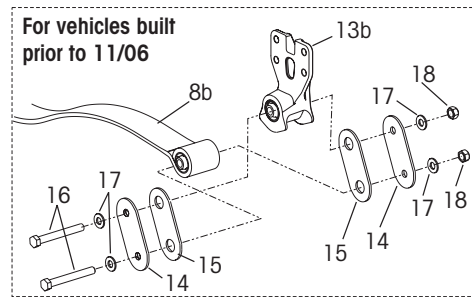
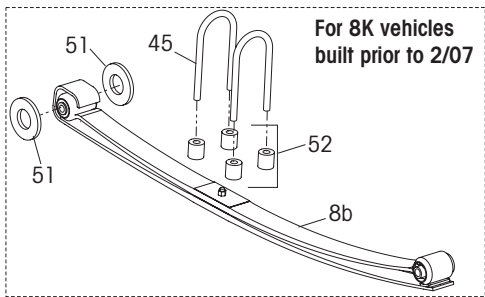
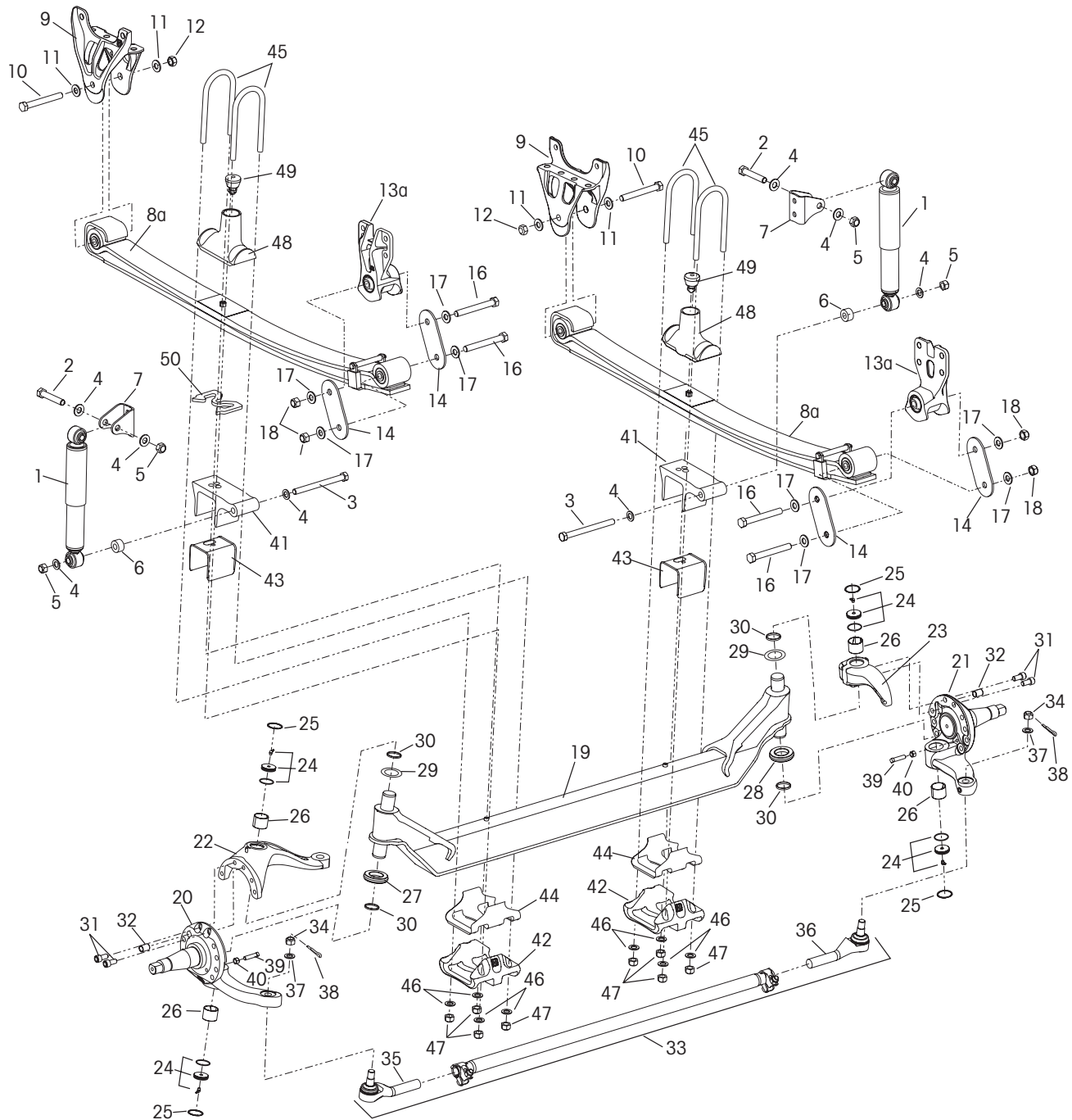


SOFTEK – Blue Bird All American Buses – 13.2K/14.6K

Page 4



8K/10K Capacity

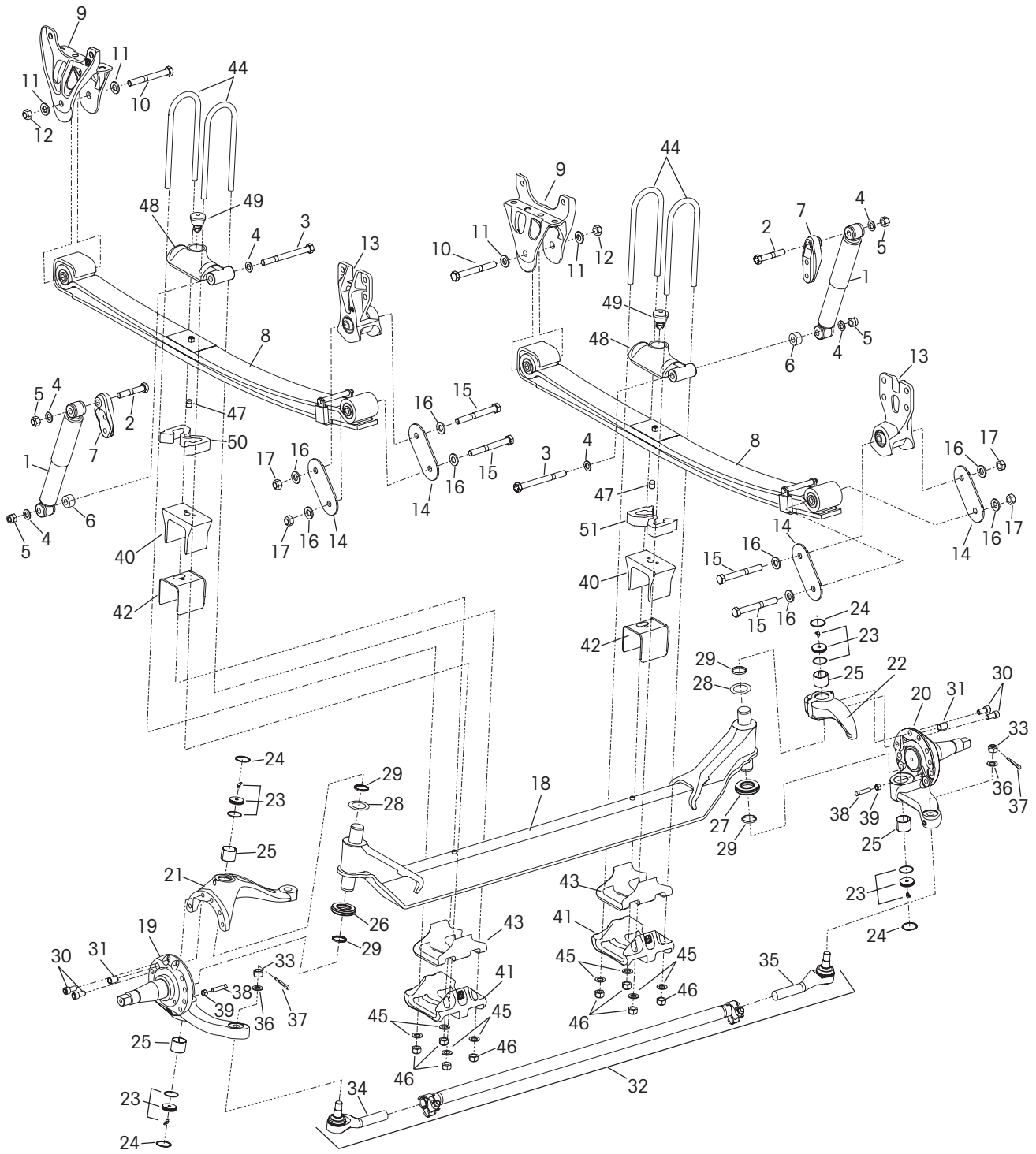




SOFTEK® for Blue Bird Vision Buses - 8K/10K Capacity

KEY NO.	PART NO.	DESCRIPTION	NO.REQ.	KEY NO.	PART NO.	DESCRIPTION	NO.REQ.
1	58913-009L	Shock Absorber (Replaces 58913-007)	2				
2		**3/4"-10 UNC Upper Shock Bolt	2		60961-043	Thrust Bearing Service Kit, Axle Set (Includes Kit Nos. 60961-041& -042)	
3		**3/4"-10 UNC Lower Shock Bolt	2		60961-041	LH Composite Thrust Bearing Service Kit (Includes Key Nos. 27, 29-31, Loctite)	
4		**3/4" Hardened Washer	8		60961-042	RH Roller Thrust Bearing Service Kit (Includes Key Nos. 28-31, Loctite)	
5		**3/4"-10 UNC Hex Locknut	4	27	59828-000	LH Composite Thrust Bearing	1
6	59946-001	Shock Spacer	2	28	64256-000	RH Roller Thrust Bearing	1
7	59423-002	Shock Bracket	2	29	60259-002	Kingpin Shim - 0.047"	2
		Leaf Spring Assembly Service Kit <i>For vehicles built after 11/06</i> (Includes Key Nos. 8a, 13a, 14)		Not Shown	60259-001	Kingpin Shim - 0.005" (As needed for service)	
	60961-161	8K		30	58910-000	Kingpin Seal	4
	60961-162	10K		31	60236-001	5/8"-11 UNC Socket Head Cap Screw	4
		Leaf Spring Assembly	2	Not Shown	60937-000	Loctite (Red) Compound Tube	1
8a		<i>For vehicles built after 11/06</i>		32	64246-000	ABS Sensor Sleeve	2
	66623-001	8K		33		***Tie Rod Assembly, 10K, 5.36 Drop (Includes Key Nos. 34-38)	1
	66624-001	10K			66699-003	200 Ackermann (Replaces 59948-005)	
8b		<i>For vehicles built prior to 11/06</i>			66699-001	250 Ackermann (Replaces 59948-006)	
	66364-000	8K		34		3/8" Castle Nut	2
	60511-000	10K			60961-139	*** Tie Rod End Service Kit, Axle Set (Replaces 60961-012) (Includes Kit Nos. 60961-137 & -138)	
9	64488-000	Front Hanger	2		60961-137	*** LH Tie Rod End Service Kit (Replaces 60961-029) (Includes Key Nos. 35, 37-38)	
10		**M20 Hex Bolt - 170mm	2		60961-138	*** RH Tie Rod End Service Kit (Replaces 60961-030) (Includes Key Nos. 36-38)	
11		**M20 Hardened Washer	4	35	66645-001	***LH Tie Rod End (Replaces 64004-001)	1
12		**M20 Locknut	2	36	66645-002	***RH Tie Rod End (Replaces 64004-002)	1
		Rear Shackles Bracket	2	37	22962-007	3/8" Flat Washer	2
13a	66510-001	<i>For vehicles built after 11/06</i>		38	17800-004	Tie Rod Nut Cotter Pin	2
13b	64316-000	<i>For vehicles built prior to 11/06</i>			60961-069	Stop Bolt Service Kit, Axle Set (Includes Key Nos. 39-40)	
14	64314-000	Rear Shackle Plate	4	39	60238-001	1/2"-13 UNC Square Head Bolt	2
15	64159-000	Thrust Washer	4	40	60240-000	1/2"-13 UNC Hex Jam Nut	2
		<i>Only for vehicles built prior to 11/06</i>		41	59952-003	Top Axle Wrap	2
16		**M20 Hex Bolt - 150mm	4	42	64722-003	Bottom Axle Wrap	2
17		**M20 Hardened Washer	8		60961-015	Top/Bottom Axle Wrap Liner Service Kit, One Side (Includes Key Nos. 43-44)	
18		**M20 Locknut	4	43	60508-000	Top Axle Wrap Liner	2
	60952-XXX	STEERTEK Axle Assembly Contact Hendrickson Tech Serv. for Part No. (Includes Key Nos. 19-44)	1	44	59845-000	Bottom Axle Wrap Liner	2
19	64905-004	Axle & Kingpin Assembly 6.5", 8.5" Ride Height	1			Clamp Group Service Kit, One side (Includes Key Nos. 45-47)	
20		LH Lower Steering Knuckle Assembly	1		60961-140	6.5" Ride Height	
	58900-035	150 Ackermann Air Brake			60961-141	8.5" Ride Height	
	58900-033	200 Ackermann Air Brake		45		3/4"-16 UNC U-bolt	4
	58900-031	250 Ackermann Air Brake			64804-110	6.5" Ride Height - 11.0"	
	58900-055	150 Ackermann Hydraulic Brake			64804-130	8.5" Ride Height - 13.0"	
	58900-053	200 Ackermann Hydraulic Brake		46	22962-001	3/4" Flat Washer	8
	58900-051	250 Ackermann Hydraulic Brake		47	17700-035	3/4"-16 UNC 2B Nylon Locknut	8
21		RH Lower Steering Knuckle Assembly	1	Not Shown	18831-021	Dowel Pin, 8.5" Ride Height - 2.0"	1
	58900-036	150 Ackermann Air Brake			64506-000	Top Pad/Axle Stop Assembly (Includes Key Nos. 48-49)	
	58900-034	200 Ackermann Air Brake		48	64519-000	Top Pad	2
	58900-032	250 Ackermann Air Brake		49	64080-000	Rubber Axle Stop	2
	58900-056	150 Ackermann Hydraulic Brake		50		Front Axle Spacer	
	58900-054	200 Ackermann Hydraulic Brake			64536-010	LH 6.5" Ride Height	1
	58900-052	250 Ackermann Hydraulic Brake			64536-060	LH 8.5" Ride Height	1
22	60903-016	LH Upper Steering Knuckle Assembly	1	Not Shown	64536-050	RH 8.5" Ride Height	1
23	60904-002	RH Upper Steering Knuckle Assembly	1	51	66164-000	Thrust Pad Washer - 8K	2
	60961-040	Kingpin Bushing and Bearing Service Kit, Axle Set (Includes Kit Nos. 60961-009 & -039)		52	66366-001	Clamp Group Spacer - 8K	4
	60961-009	LH Kingpin Bushing w/Composite Thrust Bearing Service Kit (Includes Key Nos. 24-27, 29-31, Loctite)					
	60961-039	RH Kingpin Bushing w/Roller Thrust Bearing Service Kit (Includes Key Nos. 24-26, 28-31, Loctite)					
24	59156-000	Grease Cap Assembly	4				
25	58937-000	Retaining Ring	4				
26	58909-000	Kingpin Bushing	4				

13.2K/14.6K Capacity





SOFTEK® for Blue Bird All American Buses - 13.2K/14.6K Capacity

KEY NO.	PART NO.	DESCRIPTION	NO.REQ.	KEY NO.	PART NO.	DESCRIPTION	NO.REQ.
1	58913-010L	Shock Absorber	2	32		Tie Rod Assembly, 14.6K, 5.36 Drop	1
2		**3/4"-10 UNC Upper Shock Bolt	2			(Includes Key Nos. 33-37)	
3		**3/4"-10 UNC Lower Shock Bolt	2	64006-002		150/200 Ackermann	
4		**3/4" Hardened Washer	6	64006-003		250 Ackermann	
5		**3/4"-10 UNC Hex Locknut	4	33		*7/8" Castle Nut	2
6	59946-001	Shock Spacer	2	60961-011		Tie Rod End Service Kit, Axle Set	
7	65000-002	Shock Bracket	2			(Includes Kit Nos. 60961-027 & -028)	
8		Leaf Spring Assembly	2	60961-027		LH Tie Rod End Service Kit	
	66625-001	13.2K				(Includes Key Nos. 34, 36-37)	
	66626-001	14.6K		60961-028		RH Tie Rod End Service Kit	
9	64488-002	Front Hanger	2			(Includes Key Nos. 35-37)	
10		**M20 Hex Bolt - 170mm	2	34	64002-001	LH Tie Rod End	1
11		**M20 Hardened Washer	4	35	64002-002	RH Tie Rod End	1
12		**M20 Locknut	2	36	22962-007	7/8" Flat Washer	2
13	66510-001	Rear Shackle Bracket	2	37	17800-004	Tie Rod Nut Cotter Pin	2
14	64314-000	Rear Shackle Plate	4	60961-069		Stop Bolt Service Kit, Axle Set	
15		**M20 Hex Bolt - 150mm	4			(Includes Key Nos. 38-39)	
16		**M20 Hardened Washer	8	38	60238-001	1/2"-13 UNC Square Head Bolt	2
17		**M20 Locknut	4	39	60240-000	1/2"-13 UNC Hex Jam Nut	2
	60952-XXX	STEERTEK Axle Assembly	1	40	59952-026	Top Axle Wrap	2
		Contact Hendrickson Tech Serv. for Part No.		41	64722-003	Bottom Axle Wrap	2
		(Includes Key Nos. 18-43)		60961-015		Top/Bottom Axle Wrap Liner Service Kit,	
18	64905-005	Axle & Kingpin Assembly	1			One Side (Includes Key Nos. 42-43)	
		6.8", 7.8", 8.8" and 9.8" Ride height		42	60508-000	Top Axle Wrap Liner	2
19		LH Lower Steering Knuckle Assembly	1	43	59845-000	Bottom Axle Wrap Liner	2
	58900-035	150 Ackermann Air Brake				Clamp Group Service Kit, One side	
	58900-033	200 Ackermann Air Brake				(Includes Key Nos. 44-47)	
	58900-031	250 Ackermann Air Brake		60961-142		6.8" Ride Height	
	58900-055	150 Ackermann Hydraulic Brake		60961-143		7.8" Ride Height	
	58900-053	200 Ackermann Hydraulic Brake		60961-144		8.8" Ride Height	
	58900-051	250 Ackermann Hydraulic Brake		60961-145		9.8" Ride Height	
20		RH Lower Steering Knuckle Assembly	1	44		3/4"-16 UNC U-bolt	4
	58900-036	150 Ackermann Air Brake		64804-120		6.8" Ride Height - 12.0"	
	58900-034	200 Ackermann Air Brake		64804-130		7.8" Ride Height - 13.0"	
	58900-032	250 Ackermann Air Brake		64804-140		8.8" Ride Height - 14.0"	
	58900-056	150 Ackermann Hydraulic Brake		64804-150		9.8" Ride Height - 15.0"	
	58900-054	200 Ackermann Hydraulic Brake		45	22962-001	3/4" Flat Washer	8
	58900-052	250 Ackermann Hydraulic Brake		46	17700-035	3/4"-16 UNC 2B Nylon Locknut	8
21	60903-055	LH Upper Steering Knuckle Assembly	1	47		Dowel Pin	
22	60904-002	RH Upper Steering Knuckle Assembly	1			6.8" Ride Height	None Req.
	60961-040	Kingpin Bushing and Bearing Service Kit,		18831-022		7.8" Ride Height - 1.13"	2
		Axle Set		18831-021		8.8" Ride Height - 2.0"	2
		(Includes Kit Nos. 60961-009 & -039)		18831-023		9.8" Ride Height - 3.0"	2
	60961-009	LH Kingpin Bushing w/Composite Thrust		66806-000		Top Pad/Axle Stop Assembly	
		Bearing Service Kit				(Includes Key Nos. 48-49)	
		(Includes Key Nos. 23-26, 28-30, Loctite)		48	66666-000	Top Pad	2
	60961-039	RH Kingpin Bushing w/Roller Thrust		49	64080-000	Rubber Axle Stop	2
		Bearing Service Kit		50		LH Front Axle Spacer	1
		(Includes Key Nos. 23-25, 27-30, Loctite)		64536-010		6.8" Ride Height	
23	59156-000	Grease Cap Assembly	4	64536-035		7.8" Ride Height	
24	58937-000	Retaining Ring	4	64536-060		8.8" Ride Height	
25	58909-000	Kingpin Bushing	4	64536-085		9.8" Ride Height	
	60961-043	Thrust Bearing Service Kit, Axle Set		51		RH Front Axle Spacer	1
		(Includes Kit Nos. 60961-041 & -042)				6.8" Ride Height	None Req.
	60961-041	LH Composite Thrust Bearing Service Kit		64536-025		7.8" Ride Height	
		(Includes Key Nos. 26, 28-30, Loctite)		64536-050		8.8" Ride Height	
	60961-042	RH Roller Thrust Bearing Service Kit		64536-075		9.8" Ride Height	
		(Includes Key Nos. 27-30, Loctite)					
26	59828-000	LH Composite Thrust Bearing	1				
27	64256-000	RH Roller Thrust Bearing	1				
28	60259-002	Kingpin Shim - 0.047"	2				
Not Shown	60259-001	Kingpin Shim - 0.005" (As needed for service)					
29	58910-000	Kingpin Seal	4				
30	60236-001	3/8"-11 UNC Socket Head Cap Screw	4				
Not Shown	60937-000	Loctite (Red) Compound Tube	1				
31	64246-000	ABS Sensor Sleeve	2				



KEY NO.	PART NO.	DESCRIPTION	NO.REQ.
SERVICE KITS QUICK REFERENCE			
	60961-040	Kingpin Bushing and Bearing Service Kit Axle Set	
	60961-009	LH Kingpin Bushing w/Composite Thrust Bearing Service Kit	
	60961-039	RH Kingpin Bushing w/Roller Thrust Bearing Service Kit	
	60961-043	Thrust Bearing Service Kit, Axle Set	
	60961-041	Composite Thrust Bearing Service Kit	
	60961-042	Roller Thrust Bearing Service Kit	
		Tie Rod End Service Kit, Axle Set	
	60961-139	***Vision	
	60961-011	All American	
		LH Tie Rod End Service Kit	
	60961-137	***Vision	
	60961-027	All American	
		RH Tie Rod End Service Kit	
	60961-138	***Vision	
	60961-028	All American	
	60961-069	Stop Bolt Service Kit	
		Clamp Group Service Kit	
		Vision	
	60961-140	6.5" Ride Height	
	60961-141	8.5" Ride Height	
		All American	
	60961-142	6.8" Ride Height	
	60961-143	7.8" Ride Height	
	60961-144	8.8" Ride Height	
	60961-145	9.8" Ride Height	
	60961-015	Top/Bottom Axle Wrap Liner Service Kit	
		Leaf Spring Assembly Service Kit	
		<i>(For vehicles built prior to 11/06)</i>	
	60961-161	8K	
	60961-162	10K	

NOTE:

- * Item included in assembly only, part not sold separately.
- ** Not supplied by Hendrickson, used for reference only. Refer to OEM (vehicle manufacturer) for more information. Hendrickson is not responsible for components supplied by vehicle manufacturer. For assistance with maintenance and rebuild instructions on these components see vehicle manufacturer.
- *** Hendrickson supplies different tie rod assemblies and each type may take a different replacement tie rod end kit to service. Prior to ordering, find the part number on the tie rod tube, reference Hendrickson Publication No. SEU-0223, or contact Hendrickson Sales Engineering 630.910.2800 for corresponding kit numbers.

This is a general parts list to provide directional information. Components may vary by model. For questions, contact Hendrickson Tech Services at 630-910-2800 (email techservices@hendrickson-intl.com).

www.hendrickson-intl.com



Truck Suspension Systems
 800 South Frontage Road
 Woodridge, IL 60517-4904 USA

630.910.2800
 Fax 630.910.2899