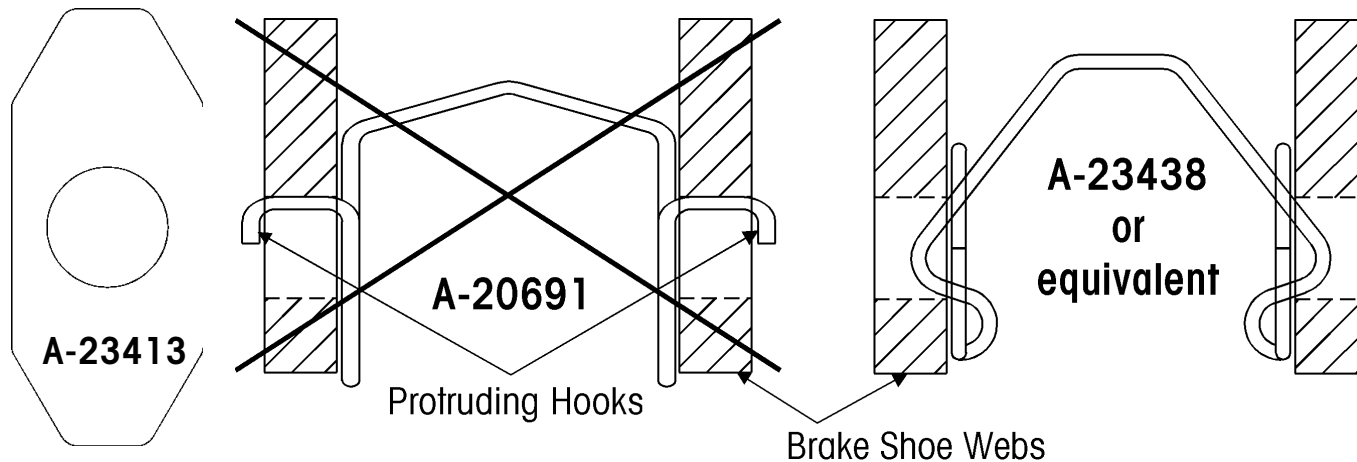


! CAUTION

- **DO NOT USE** roller retainers with hooks that protrude outside the brake shoe webs when replacing retainers on Hendrickson brakes with S-cam outer spider washer (A-23413).

NOTE: The protruding hooks may interfere with the S-cam outer spider washer. This interference may prevent the brake system from fully releasing after a brake application.

- Always install roller retainer (A-23438) or an equivalent roller retainer whenever S-cam outer spider washer (A-23413) is present.



Information in this literature was accurate at the time of publication. Product changes that may have occurred after the publication date are not reflected.

L626 March 1998 Printed in United States of America

2070 Industrial Place, SE
Canton, OH 44707-2600 USA
Phone: (330) 456-7288
Fax: (330) 456-0105

HENDRICKSON
Trailer Suspension Systems
A Boler Company

250 Chrysler Drive, Unit #3
Brampton, Ontario L6S 6B6 CAN
Phone: (905) 789-1030
Fax: (905) 789-1033

The Boler Company. Copyright © 1998
Hendrickson Trailer Suspension Systems
All Rights Reserved