



## Tridem slider suspension systems

### Flexibility for hauling across international, provincial and state borders

VANTRAAX® tridem sliders incorporate pioneering INTRAAX® air ride suspension systems and patented K-2® slider box technology for exceptional durability with class-leading weight savings.

Drawing on all of the advantages of VANTRAAX, the tridem provides fleets and owner operators with a tool to address critical needs for lighter, more durable products that help reduce operating costs.

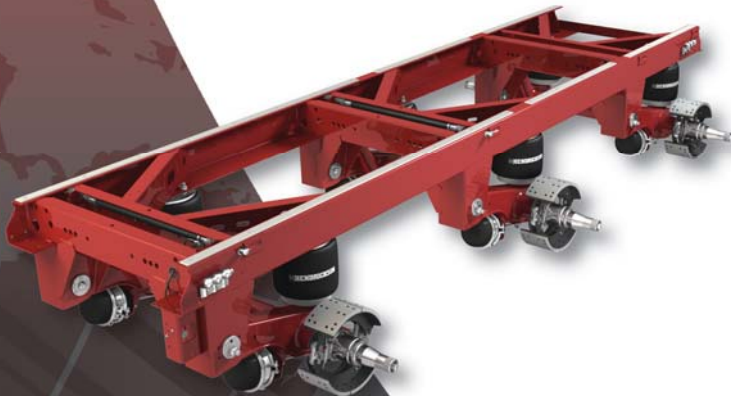
With an overall system rating of 69,000 pounds, the tridem is available with a 23,000-pound, standard-duty suspension (69K23) or a 25,000-pound, heavy-duty suspension (69K25). Both are available in 16, 17 and 18 inch ride heights and with axle spreads of 60 or 72 inches — a great selection for haulers moving freight across North America. Tridems give operators the flexibility to haul across international, provincial and state borders while remaining in compliance with a wide variety of bridge and weight laws and Canadian "infrastructure-friendly" regulations.

VANTRAAX features Hendrickson's rigid axle / beam connection combined with the proven TRI-FUNCTIONAL® Bushing resulting in an ideal combination of ride softness and stability.

The K-2 slider box design provides an outstanding strength-to-weight ratio allowing operators to haul more cargo. The patented "K" bracing reduces weight while increasing durability, and its simple design also opens interior spacing for easier plumbing and maintenance.

For additional information, call 1-866-RIDEAIR or visit our web site at [www.hendrickson-intl.com](http://www.hendrickson-intl.com).

 **HENDRICKSON**  
*The World Rides On Us®*



# Tridem delivers cargo protection advantages of VANTRAAX®

Fleet owners and owner operators spec VANTRAAX® for their dry-freight and refrigerated vans to take advantage of unparalleled performance, ultra light weight and superb cargo protection. The tridem delivers the features and benefits of VANTRAAX in a triple-axle configuration.

### Tridem HKAT 69K23 • 69K25 Specifications

System Capacity	69,000 pounds
Axle Capacity	23,000 or 25,000 pounds
Ride Height	16, 17 or 18 inches
Axle Track	71.5, 77.5 or 83.5 inches
Box Width	42, 48 or 54 inches
Axle Spread	60 or 72 inches



### Standard Features:

- QUIK-ALIGN® for fast, easy axle realignment that requires no welding or special tooling
- TRI-FUNCTIONAL® Bushings optimize ride softness and control
- Industry's straightest axle helps improve fuel mileage and tire life
- Patented axle wrap and window weld for optimal structural integrity
- First standard trailer Cam Tube System™ enhances S-cam alignment and extends brake component life
- Short 10-inch S-cam helps eliminate windup and reduces brake bushing wear
- K-2® slider box design gives superior strength-to-weight ratio
- QUIK-DRAW® — Driver-friendly system taps trailer air power for pin-pulling muscle at your fingertips



QUIK-ALIGN®



Cam Tube System™

### VANTRAAX Options:

- TIREMAAX® — Automatic tire inflation system uses trailer air to maintain tire pressure at a preset level
- SURELOK® — Limits vertical and horizontal movement during loading and unloading
- READY-TO-ROLL® wheel-end options deliver reduced weight, heightened durability and lower maintenance
  - ✓ Hendrickson Extended-Life 7-year System™ (HXL7®) comes with an industry-leading, seven-year limited warranty
  - ✓ Hendrickson Long-life System™ (HLS®) uses semi-fluid grease and comes with a five-year limited warranty
  - ✓ Hendrickson Extended Service™ (HXS®) brakes and wide HXS brakes extend intervals between brake services



HXL7®



HLS®

**Contact your trailer dealer or Hendrickson toll free — 1-866-RIDEAIR (743-3247).**

**Visit our web site at [www.hendrickson-intl.com](http://www.hendrickson-intl.com)**

[www.hendrickson-intl.com](http://www.hendrickson-intl.com)



Hendrickson Canada  
250 Chrysler Drive, Unit #3  
Brampton, ON Canada L6S 6B6  
905.789.1030  
Fax 905.789.1033

Trailer Commercial Vehicle Systems  
2070 Industrial Place SE  
Canton, OH 44707-2641 USA

866.RIDEAIR (743.3247)  
330.489.0045  
Fax 800.696.4416

Hendrickson Mexicana  
Av. Industria Automotriz #200  
Parque Industrial Stiva Aeropuerto  
Apodaca, N.L., México C.P. 66600  
+52 (81) 8288.1300  
Fax +52 (81) 8288.1301