

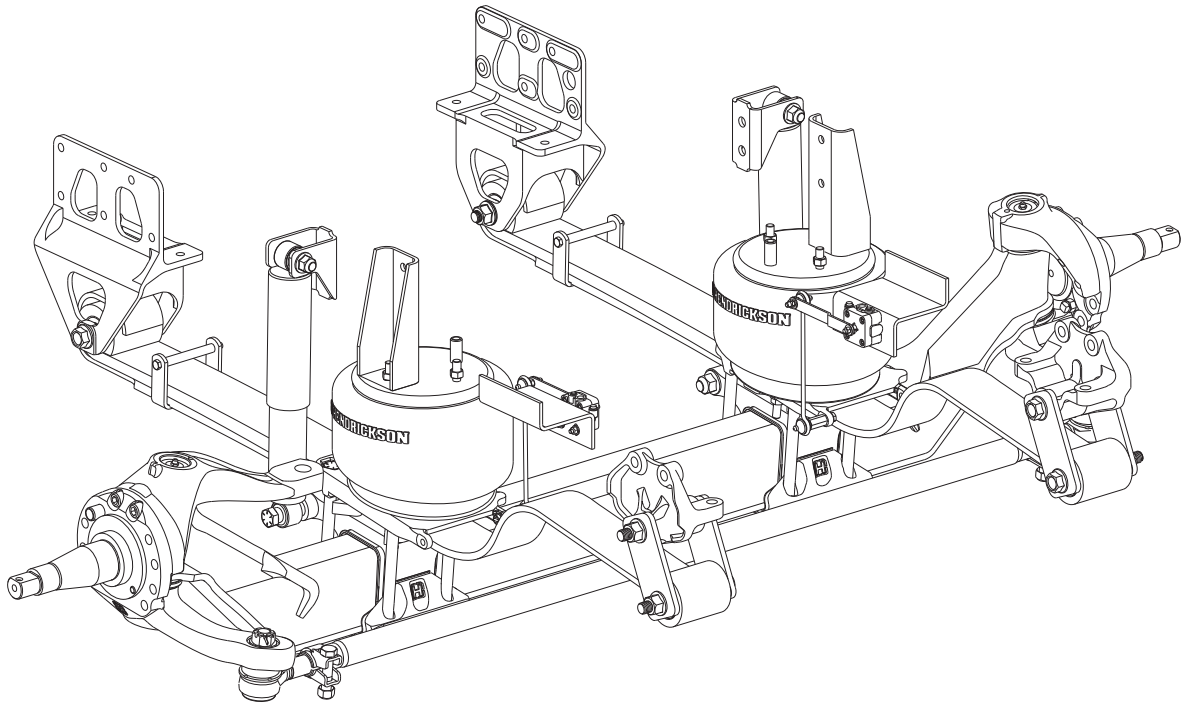
PARTS LIST

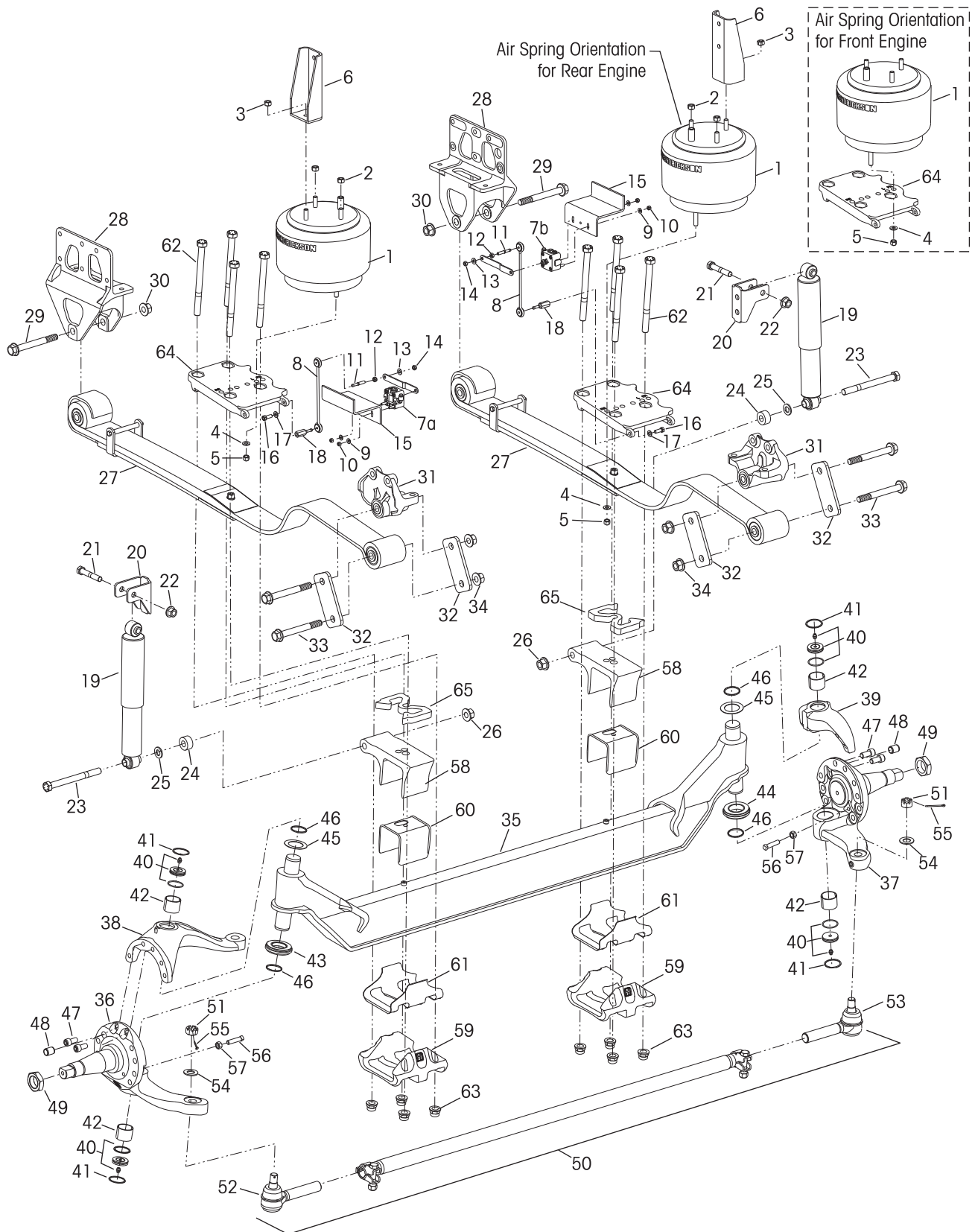
AIRTEK® for International IC Bus Vehicles

LIT NO: SP-217

DATE: January 2011

REVISION: B







KEY NO.	PART NO.	DESCRIPTION	NO.REQ.	KEY NO.	PART NO.	DESCRIPTION	NO.REQ.
1	67568-002	Air Spring Assembly	2		60961-040	Kingpin Bushing and Bearing Service Kit, Axle Set , Includes Kit Nos. 60961-009 & 60961-039	
2		**1/2"-13 UNC Upper Air Spring Locknut	4		60961-009	LH Kingpin Bushing w/Composite Thrust Bearing Service Kit , Includes Key Nos. 40-43, 45-47 & Loctite	
3		**3/4"-16 UNF Upper Air Spring Locknut	2		60961-039	RH Kingpin Bushing w/Roller Thrust Bearing Service Kit , Includes Key Nos. 40-42, 44-47 & Loctite	
4		**1/2" Lower Air Spring Washer	2	40	59156-000	Grease Cap Assembly	4
5		**1/2"-13 UNC Lower Air Spring Locknut	2	41	58937-000	Retaining Ring	4
6		**Air Spring Bracket	2	42	58909-000	Kingpin Bushing	4
		Height Control Valve Assembly		60961-043		Thrust Bearing Service Kit, Axle Set , Includes Kit Nos. 60961-041 & 60961-042	
	59427-013	LH, Includes Key Nos. 7a, 8-14	1	60961-041		LH Composite Thrust Bearing Service Kit , Includes Key Nos. 43, 45-47, Loctite	
	59427-014	RH, Includes Key Nos. 7b-14	1	60961-042		RH Roller Thrust Bearing Service Kit , Includes Key Nos. 44-47, Loctite	
		Height Control Valve		43	59828-000	LH Composite Thrust Bearing	1
7a	59935-011	*LH	1	44	64256-000	RH Roller Thrust Bearing	1
7b	59935-018	*RH	1	45	60259-002	Kingpin Shim - 0.047"	2
8	59428-004	*Height Control Valve Linkage	2	Not Shown	60259-001	Kingpin Shim - 0.005" (As needed for service)	
9		*1/4" Washer	4	46	58910-001	Kingpin Seal, <i>Replaces 58910-000</i>	4
10		*1/4" Locknut	4	47	60236-001	3/8"-11 UNC Socket Head Cap Screw	4
11		*5/16" Stud	2	Not Shown	60937-000	Loctite (Red) Compound Tube	1
12		*5/16" Hex Nut	2	48	64246-000	ABS Sensor Sleeve	2
13		*5/16" Washer	2	49	64578-000	1 1/2"-12 UNF Spindle Nut	2
14		*5/16" Locknut	2	50	64006-002	Tie Rod Assembly, Includes Key No. 51	1
15		**Height Control Valve Bracket	2	51		*7/8" Castle Nut	2
16		3/8"-16 UNC 1.0" Hex Head Bolt	2	60961-010		Tie Rod End Service Kit, Axle Set , Includes Kit Nos. 60961-025, -026	
17		3/8" Washer	2	60961-025		LH Tie Rod End Service Kit , Includes Key Nos. 52, 54-55	
18		Link Mount		60961-026		RH Tie Rod End Service Kit , Includes Key Nos. 53-55	
	59429-003	RE	2	52	64002-001	LH Tie Rod End	1
	64742-002	FE Right Hand	1	53	64002-002	RH Tie Rod End	1
	59429-003	FE Left Hand	1	54	22962-007	7/8" Flat Washer	2
19	65992-006	Shock Absorber, <i>Replaces 65992-001</i>	2	55	17800-004	Tie Rod Nut Cotter Pin	2
20		**Shock Absorber Bracket	2	60961-069		Stop Bolt Service Kit, One Side , Includes Key Nos. 56-57	
21		**M16 x 90 Upper Shock Bolt	2	56	60238-001	1/2"-13 UNC Square Head Bolt	2
22		**M16 Upper Shock Flange Locknut	2	57	60240-000	1/2"-13 UNC Hex Jam Nut	2
23		**3/4"-10 UNC 8.0" Lower Shock Bolt	2	58	59952-030	Top Axle Wrap	2
24		**3/4" Shock Spacer	2	59	64722-003	Bottom Axle Wrap	2
25		**3/4" Lower Shock Washer	2	60961-015		Top/Bottom Axle Wrap Liner Service Kit, One Side , Includes Key Nos. 60-61	
26		**3/4"-10 UNC Lower Shock Flange Locknut	2	60	60508-000	Top Axle Wrap Liner	2
27	67420-000	Leaf Spring Assembly	2	61	59845-000	Bottom Axle Wrap Liner	2
28		**Front Hanger	2	62		**3/4"-16 UNF 9.0" Hex bolt	8
29		**3/4"-16 UNF 6.5" Flange Hex Head Bolt	2	63		**3/4"-16 UNF Flange Locknut	8
30		**3/4"-16 UNF Flange Hex Locknut	2	64	67719-000	Top Pad	2
31		**Rear Hanger	2	65	64536-020	Z Spacer - 20mm	2
32		**Shackle Bracket	4				
33		**3/4"-16 UNF 6.5" Flange Hex Head Bolt	2				
34		**3/4"-16 UNF Flange Hex Locknut	2				
		STEERTEK Axle Assembly, Includes Key Nos. 32-65	1				
	70952-318	14.6K, 200" Wheelbase					
	70952-328	12K, 200" Wheelbase					
35	64905-005	Axle & Kingpin Assembly	1				
36	58900-073	LH Lower Steering Knuckle Assembly	1				
37	58900-074	RH Lower Steering Knuckle Assembly	1				
38	60903-046	LH Upper Steering Knuckle Assembly	1				
39	60904-034	RH Upper Steering Knuckle Assembly	1				

NOTE: * Item included in assembly only, part not sold separately.

** Not supplied by Hendrickson, used for reference only. Refer to the vehicle manufacturer for more information.

HENDRICKSON AIRTEK RIDE HEIGHT GAUGE FOR INTERNATIONAL IC BUS VEHICLES — Literature number 45745-252, can be obtained on-line at www.hendrickson-intl.com/literature/liiform.asp

This is a general parts list to provide directional information. Components may vary by model. Questions in regards to parts, contact Hendrickson Truck Parts toll free at 866.755.5968 or email: truckparts@hendrickson-intl.com.

www.hendrickson-intl.com



Truck Suspension Systems
800 South Frontage Road
Woodridge, IL 60517-4904 USA

630.910.2800
Fax 630.910.2899