

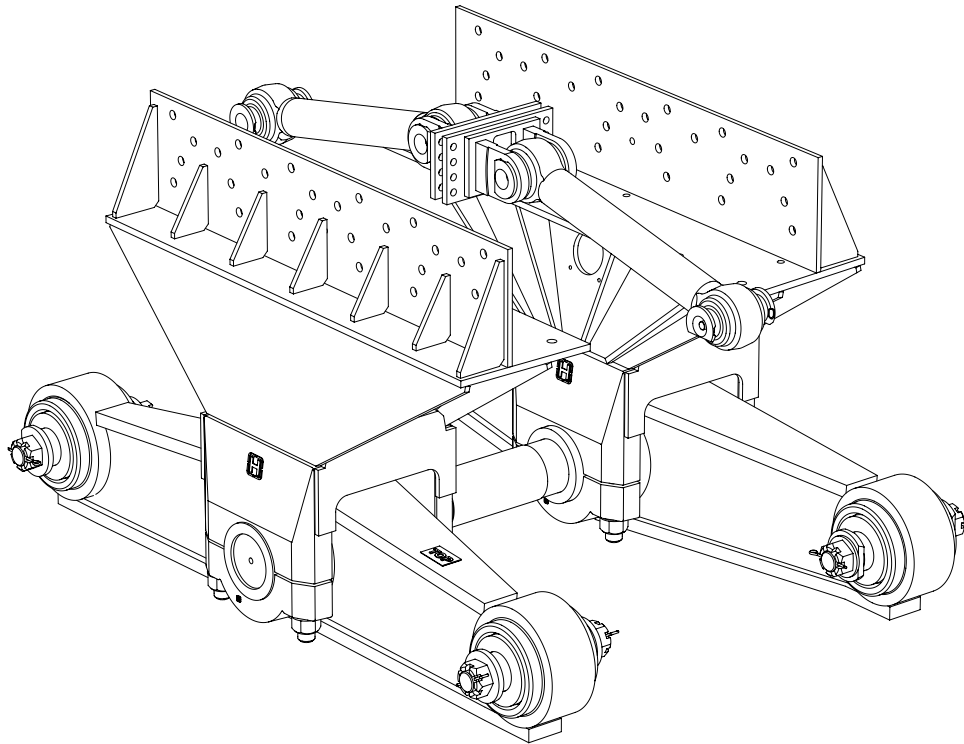
PARTS LIST

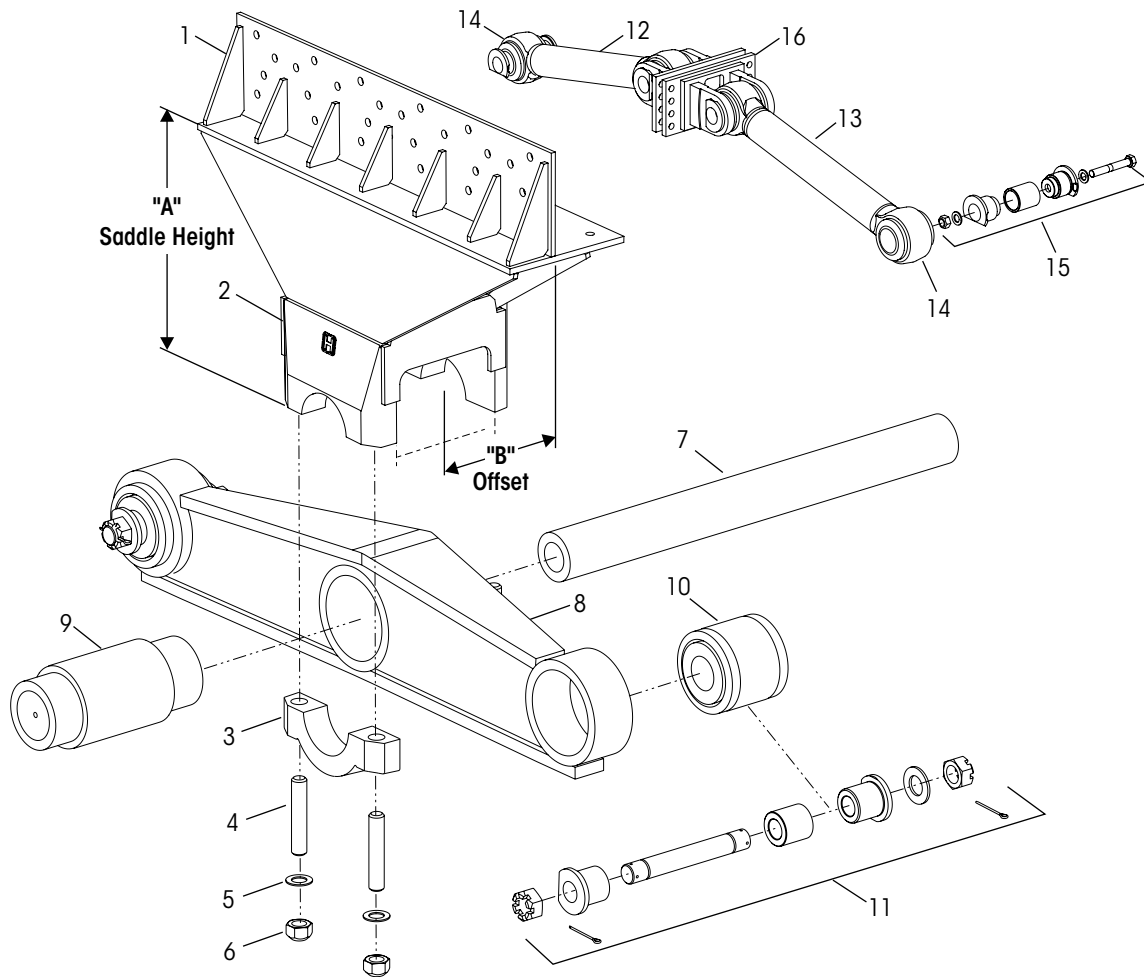
R™ 1000 Rear Suspension for Mack Trucks

LIT NO: SP-193

DATE: November 2016

REVISION: B





KEY NO.	PART NO.	DESCRIPTION	VEHICLE QTY.
1	30950-112	R 1000 Solid Mount Saddle, 23.9" Height, 0.35" Offset, Includes Key No. 2-6	2
2	49237-000	Lower Plate Assembly, Includes Key Nos. 3-6	4
3	47552-000	Saddle Cap	4
4	13411-000	1½"-12 UNF Saddle Cap Stud	8
5	22962-030	1½" Hardened Washer	8
6	47042-000	1½"-12 UNF Locknut	8
7	13504-009	Cross Tube, 50¾" Length	1
8	07500-579	Equalizing Beam Assembly, 64" Length Includes Key Nos. 9-10	2

KEY NO.	PART NO.	DESCRIPTION	VEHICLE QTY.
9	14110-000	Rubber Center Bushing, One per Beam	2
10	15424-000	End Bushing, 7¾" Length	4
11	21140-024	End Bushing Adapter Service Kit, One Wheel End, w/Adapter Tube	
12	13422-002	Front Torque Rod Assembly, 26½" Length	1
13	13422-011	Rear Torque Rod Assembly, 27¼" Length	1
14	06966-000	Torque Rod Bushing	4
15	45000-011L	Torque Rod End Adapter Service Kit	4
16	65133-000	Torque Rod Frame Bracket	2

This is a general parts list to provide directional information. Components may vary by model. Questions in regards to parts, contact Hendrickson Truck Parts at 1.866.755.5968 (Toll-free U.S. and Canada), 630.910.2800 (Outside U.S. and Canada) or e-mail: truckparts@hendrickson-intl.com.

www.hendrickson-intl.com



Truck Commercial Vehicle Systems
800 South Frontage Road
Woodridge, IL 60517-4904 USA

1.866.755.5968 (Toll-free U.S. and Canada)
630.910.2800 (Outside U.S. and Canada)
Fax 630.910.2899