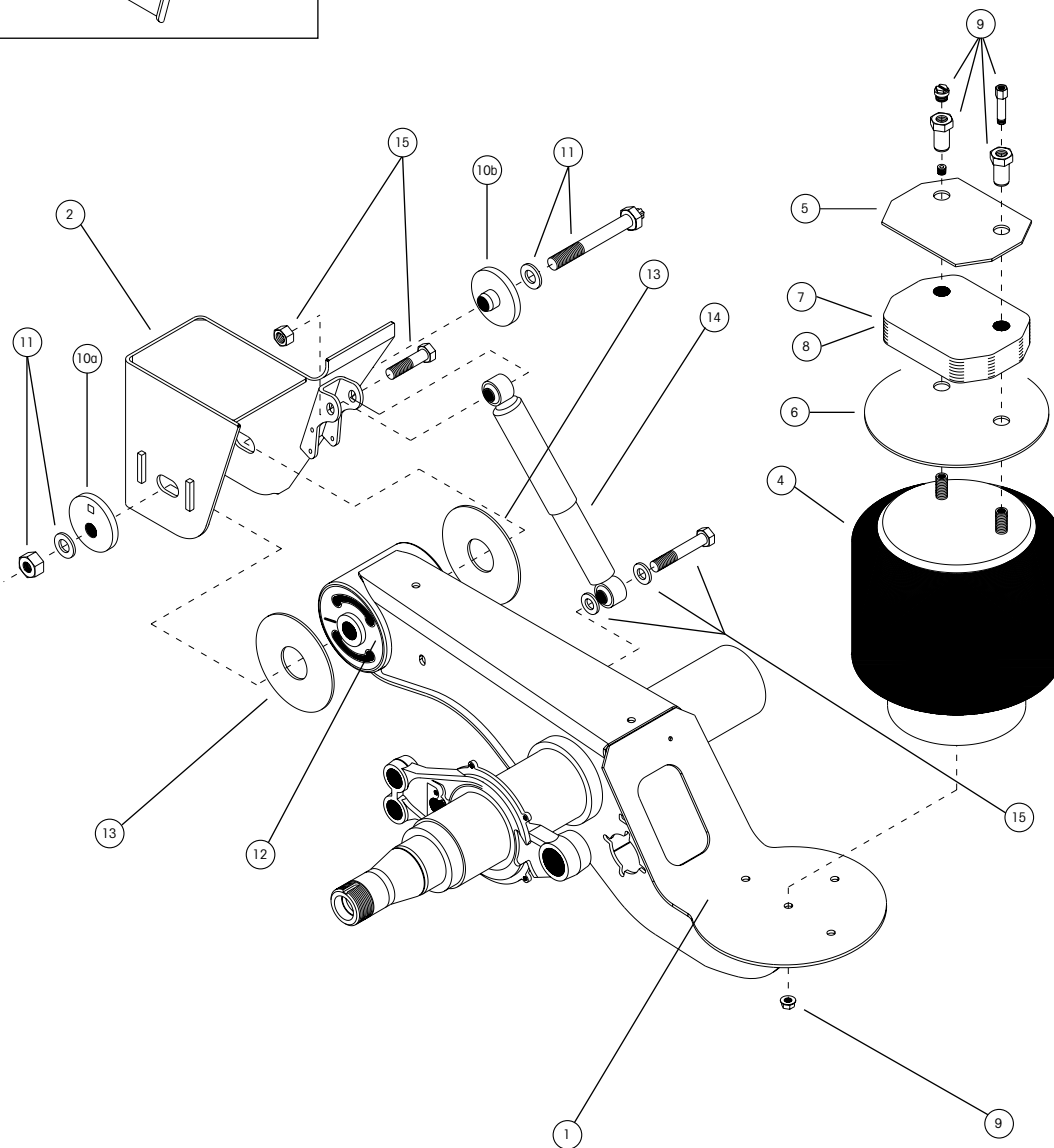
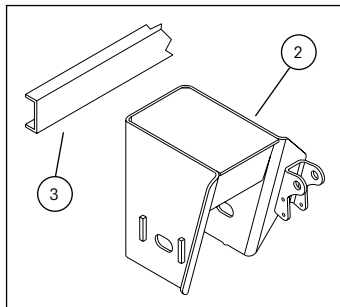




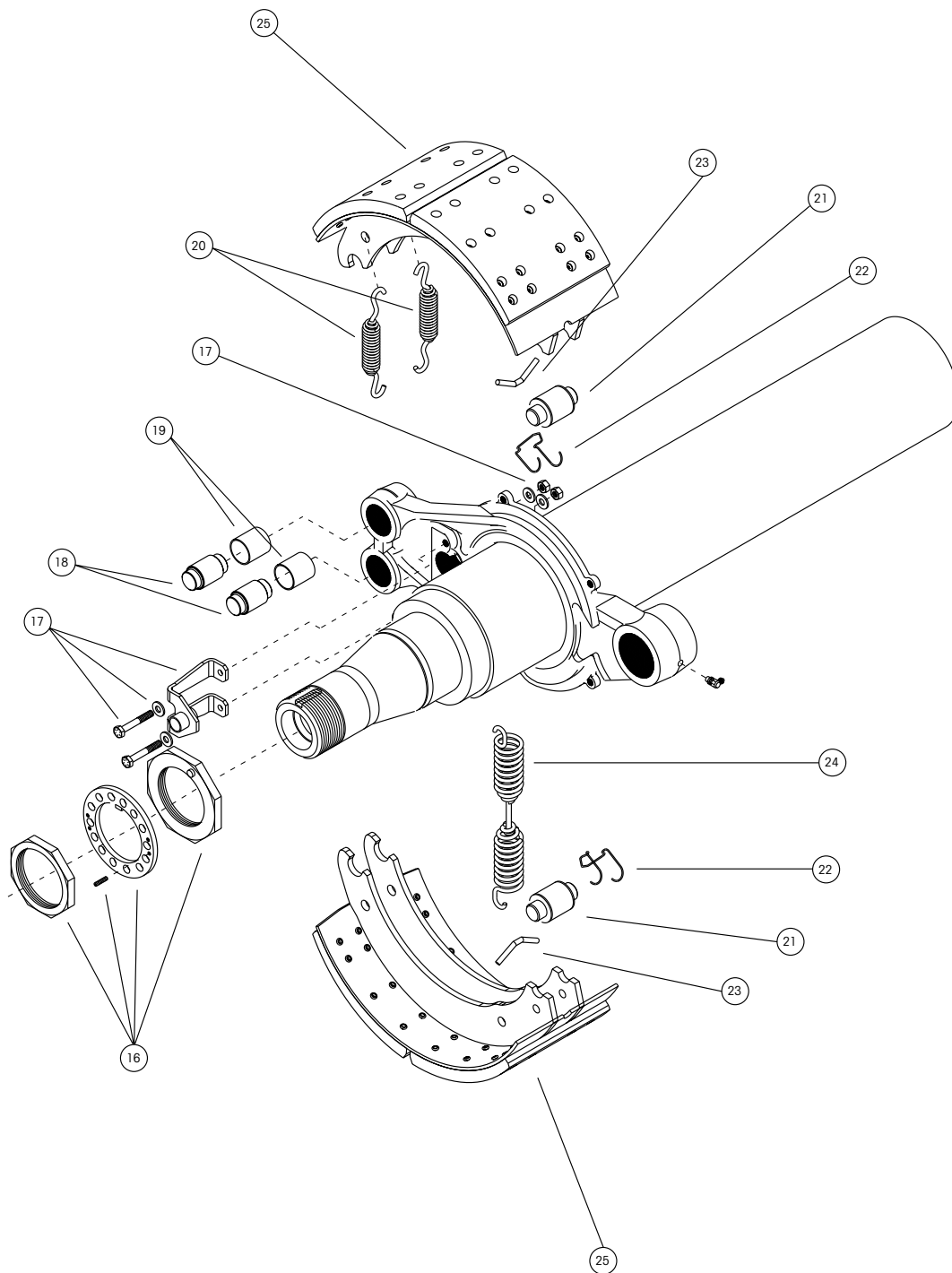
ITEM	DESCRIPTION	PART NO.	QTY	NOTE
1	AXLE/BEAM WELDMENT			Contact Hendrickson for assistance
2	FRAME BRACKET			Contact Hendrickson for assistance
3	FRAME BRACKET CHANNEL	A-1631-19	1	
4	AIR SPRING			
	For AA230LA 6-1/2" through 8"			
	Ride Heights	S-23720	2	Use to replace C-23720 air spring
	For AA230LA 8-1/2" through 10"			
	Ride Heights	S-23613	2	Use to replace C-23613 air spring
	For AA230LA 10-1/2" through 21"			
	Ride Heights	S-23614	2	Use to replace C-23614 air spring
	For AA250LA 6-1/2" through 8"			
	Ride Heights	S-23721	2	Use to replace C-23721 air spring
	For AA250LA 8-1/2" through 10"			
	Ride Heights	S-23611	2	Use to replace C-23611 air spring
	For AA250LA 10-1/2" through 21"			
	Ride Heights	S-23612	2	Use to replace C-23612 air spring
5	AIR SPRING MOUNTING PLATE			
	Various Weld-on Applications, Octagonal	B-20905	2	Standard travel for 6-1/2" through 16" ride heights; Limited travel for 6-1/2" through 14" ride heights
	Various Weld-on Applications, 12" Round	B-23294	2	Standard travel for 6-1/2" through 16" ride heights; Limited travel for 6-1/2" through 14" ride heights
	Various Bolt-on Applications	B-21145	2	Distance from outboard side of spacer to center of first trailer frame mounting bolt hole is 1-1/2"; Standard travel for 6-1/2" through 16" ride heights; Limited travel for 6-1/2" through 14" ride heights
	Various Bolt-on Applications	B-22390	2	Distance from outboard side of spacer to center of first trailer frame mounting bolt hole is 2-1/4"; Standard travel for 6-1/2" through 16" ride heights; Limited travel for 6-1/2" through 14" ride heights
	Various Bolt-on Applications	B-21715	2	Distance from outboard side of spacer to center of first trailer frame mounting bolt hole is 1-3/4"; Standard travel for 6-1/2" through 16" ride heights; Limited travel for 6-1/2" through 14" ride heights
6	LOWER AIR SPRING PLATE	B-23294	2	Standard travel, weld-on and bolt-on applications for 9-1/2", 10" and 13" through 16" ride heights; Limited travel, weld-on and bolt-on applications for 8-1/2" through 14" ride heights
7	AIR SPRING SPACER			
	Plastic, 1-1/8" Thick Spacer	B-22510-1	2	
	Plastic, 1-7/8" Thick Spacer	B-22510-2	2	
	Plastic, 3-1/8" Thick Spacer	B-22510-3	2	
	Plastic, 3/4" Thick Spacer	B-22510-4	2	





ITEM	DESCRIPTION	PART NO.	QTY	NOTE
8	AIR SPRING SPACER ASSEMBLY			
	Steel, Weld-on, 5- ⁵ / ₁₆ " Thick			
	Spacer Assembly	C-24077-6	2	
	Steel, Weld-on, 7- ⁵ / ₁₆ " Thick			
	Spacer Assembly	C-24077-8	2	
	Steel, Weld-on, 4- ¹³ / ₁₆ " Thick			
	Spacer Assembly	C-24077-9	2	
	Steel, Weld-on, 9- ¹ / ₄ " Thick			
	Spacer Assembly	C-24077-10	2	
	Steel, Weld-on, 10- ³ / ₄ " Thick			
	Spacer Assembly	C-24077-11	2	
	Steel, Bolt-on, 5- ⁹ / ₁₆ " Thick			
	Spacer Assembly	C-24079-2	2	
	Steel, Bolt-on, 7- ⁹ / ₁₆ " Thick			
	Spacer Assembly	C-24079-4	2	
	Steel, Bolt-on, 5- ¹ / ₁₆ " Thick			
	Spacer Assembly	C-24079-5	2	
	Steel, Bolt-on, 9- ¹ / ₂ " Thick			
	Spacer Assembly	C-24079-6	2	
	Steel, Bolt-on, 11" Thick			
	Spacer Assembly	C-24079-7	2	
9	AIR SPRING MOUNTING KIT¹ (Per Air Spring)			
		S-22619/2	2	For units with no spacer and all weld-on and bolt-on units with a steel spacer
		S-22630/2	2	For units with a 1- ¹ / ₈ " thick plastic spacer
		S-22631/2	2	For units with a 1- ⁷ / ₈ " thick plastic spacer
		S-22632/2	2	For units with a 3- ¹ / ₈ " thick plastic spacer
		S-22635/2	2	For units with a ³ / ₄ " thick plastic spacer
10	ALIGNMENT COLLARS			
10a	Eccentric, QUIK-ALIGN[®]	S-20925	2	Pivot bolt hole is offset from center of collar
10b	Concentric, QUIK-ALIGN[®]	S-20924	2	Pivot bolt hole is in center of collar
11	QUIK-ALIGN[®] PIVOT BOLT KIT¹	S-24679	2	Includes shear type bolt, nut and washers
12	QUIK-ALIGN[®] PIVOT BUSHING KIT¹	S-24691	2	Includes bushing, pivot bolt kit, wear pads and lube
13	BUSHING WEAR PAD	S-11613	4	Four (4) required per axle
14	SHOCK ABSORBER			
	Standard Duty, 6-¹/₂" through 8"			
	Ride Heights	S-22311	2	Use to replace B-22311 shock absorber
	Standard Duty, 8-¹/₂" through 10"			
	Ride Heights	S-23290	2	Use to replace B-23290 shock absorber
	Standard Duty, 10-¹/₂" through 15"			
	Ride Heights	S-23013	2	Use to replace B-23013 shock absorber
	Standard Duty, 15-¹/₂" through 21"			
	Ride Heights	S-23315	2	Use to replace B-23315 shock absorber
	Extended Service, High Damping, 6-¹/₂" through 8" Ride Heights	S-22312	2	Use to replace B-22312 shock absorber
	Extended Service, High Damping, 8-¹/₂" through 10" Ride Heights	S-23291	2	Use to replace B-23291 shock absorber
	Extended Service, High Damping, 10-¹/₂" through 15" Ride Heights	S-23014	2	Use to replace B-23014 shock absorber
	Extended Service, High Damping, 15-¹/₂" through 21" Ride Heights	S-23316	2	Use to replace B-23316 shock absorber
15	SHOCK ABSORBER BOLT KIT¹	S-24757/2	2	One (1) required per shock

¹ See AA230L/AA250L INTRAAX[®] Kit Components Section or Service Kits Section for kit breakdown.



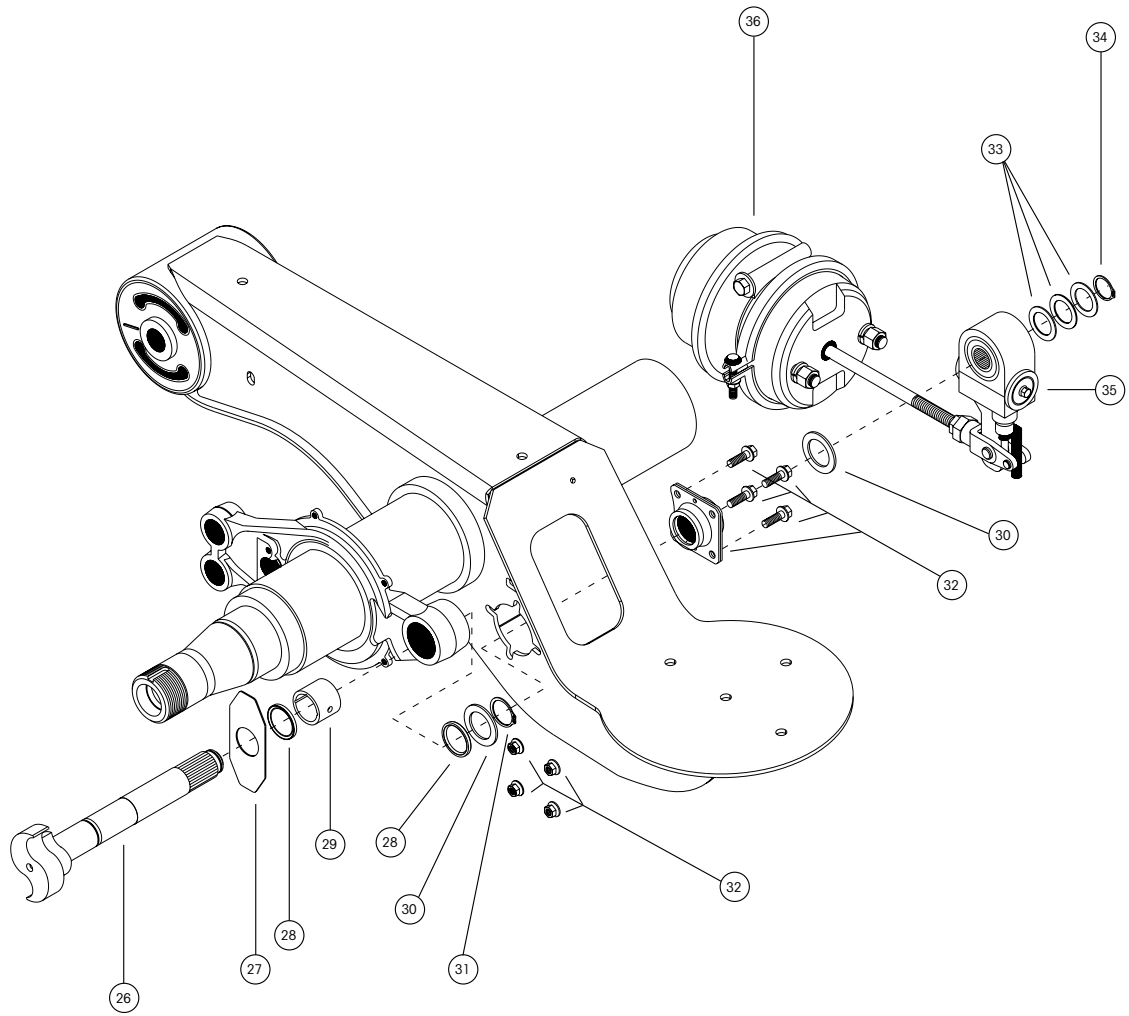


ITEM	DESCRIPTION	PART NO.	QTY	NOTE
16	AXLE NUT KIT¹			
	HN Spindle Type	S-20492/2	2	Includes inner axle nut, outer axle nut, lock washer and set screw
	HP Spindle Type	S-20475/2	2	Includes inner axle nut, outer axle nut, lock washer and set screw
17	ABS BRACKET KIT¹			
	HN Spindle Type	S-21064	1	Includes sensor bracket, bolts, lock nuts and flat washers
	HP Spindle Type	S-21070	1	Includes sensor bracket, bolts, lock nuts and flat washers
18	ANCHOR PIN²			Included in minor overhaul brake kits and major overhaul brake kits ¹
19	ANCHOR PIN BUSHING²			Included in minor overhaul brake kits and major overhaul brake kits ¹
20	BRAKE RETAINING SPRING²			Included in minor overhaul brake kits and major overhaul brake kits ¹
21	BRAKE SHOE ROLLER²			Included in brake shoe kits, minor overhaul brake kits and major overhaul brake kits ¹
22	ROLLER RETAINER²			Included in brake shoe kits, minor overhaul brake kits, major overhaul brake kits, axle S-cam major overhaul kits and wheel S-cam major overhaul kits ¹
23	RETURN SPRING PIN²			Included in brake shoe kits, minor overhaul brake kits and major overhaul brake kits ¹
24	BRAKE RETURN SPRING²			Included in minor overhaul brake kits and major overhaul brake kits ¹
25	BRAKE SHOE²			
	16-1/2" x 7" Standard Service			
	Brake Shoe Kit ¹	S-21266-1 ³	2	ABEX 3030-197, FMSI 4515
	Major Overhaul Brake Kit ¹	S-21184-1 ³	2	ABEX 3030-197, FMSI 4515
	16-1/2" x 7" HXS™			
	Brake Shoe Kit ¹	S-23750-1	2	ABEX 3030-197, FMSI 4707
		S-23750-3	2	ABEX 931-162, FMSI 4707
	Major Overhaul Brake Kit ¹	S-23753-1	2	ABEX 3030-197, FMSI 4707
		S-23753-3	2	ABEX 931-162, FMSI 4707
	16-1/2" x 8-5/8" HXS™			
	Brake Shoe Kit ¹	S-23751-1	2	ABEX 3030-197, FMSI 4711
		S-23751-3	2	ABEX 931-162, FMSI 4711
	Major Overhaul Brake Kit ¹	S-23754-1	2	ABEX 3030-197, FMSI 4711
		S-23754-3	2	ABEX 931-162, FMSI 4711

¹ See AA230L/AA250L INTRAAX® Kit Components Section or Service Kits Section for kit breakdown.

² Not sold separately.

³ Other options exist. Contact Hendrickson for assistance.





ITEM	DESCRIPTION	PART NO.	QTY	NOTE
26	S-CAM			
	Right Hand, 28 Spline Standard	S-20806-1R	1	
	Right Hand, 10 Spline Standard	S-21717-1R	1	Not for U.S. use
	Right Hand, 28 Spline HXS™	S-23347-1R	1	
	Left Hand, 28 Spline Standard	S-20806-1L	1	
	Left Hand, 10 Spline Standard	S-21717-1L	1	Not for U.S. use
	Left Hand, 28 Spline HXS™	S-23347-1L	1	
27	OUTER CAM WASHER²			Included in axle S-cam major overhaul kits and wheel S-cam major overhaul kits ¹
28	SPIDER SEAL²			Included in axle S-cam major overhaul kits and wheel S-cam major overhaul kits ¹
29	SPIDER CAMSHAFT BUSHING²			Included in axle S-cam major overhaul kits and wheel S-cam major overhaul kits ¹
30	S-CAM JOURNAL WASHER²			Included in axle S-cam major overhaul kits and wheel S-cam major overhaul kits ¹
31	SPIDER RETAINING RING²			Included in axle S-cam major overhaul kits and wheel S-cam major overhaul kits ¹
32	S-CAM SUPPORT BUSHING ASSEMBLY²			Included in axle S-cam major overhaul kits and wheel S-cam major overhaul kits ¹
33	SPLINE INNER WASHER²			Included in axle S-cam major overhaul kits and wheel S-cam major overhaul kits ¹
34	SPLINE RETAINING RING²			Included in axle S-cam major overhaul kits and wheel S-cam major overhaul kits ¹
35	SLACK ADJUSTER KITS (Per Wheel)			
	28 Spline, Gunite, 5-1/2"	S-21398-1	2	Includes unhanded autoslack, outer nut and inner sleeve
	28 Spline, Gunite, 6"	S-21398-2	2	Includes unhanded autoslack, outer nut and inner sleeve
	28 Spline, Haldex, 5-1/2"	S-21399-1	2	Includes unhanded autoslack, anchor stud, nut and slack adjuster clevis assembly
	28 Spline, Haldex, 6"	S-21399-2	2	Includes unhanded autoslack, anchor stud, nut and slack adjuster clevis assembly
	10 Spline, Gunite, 5-1/2"	S-15191-1	2	Includes unhanded autoslack, outer nut and inner sleeve; not for U.S. use
	10 Spline, Gunite, 6"	S-15191-2	2	Includes unhanded autoslack, outer nut and inner sleeve; not for U.S. use
	10 Spline, Haldex, 5-1/2"	S-15192-1	2	Includes unhanded autoslack, anchor stud, nut and slack adjuster clevis assembly; not for U.S. use
	10 Spline, Haldex, 6"	S-15192-2	2	Includes unhanded autoslack, anchor stud, nut and slack adjuster clevis assembly; not for U.S. use
36	BRAKE CHAMBER (7" from mounting face to center of clevis pin)			
	MGM 30/30	C-24164-1	2	
	MGM 30/30, Long Stroke	C-24769	2	
	Haldex 30/30	C-24164-2	2	
	TSE 30/30	C-24164-3	2	
	Carlisle 30/30	C-24164-4	2	
37	CLAMP-ON DUST SHIELD		2	Not shown

¹ See AA230L/AA250L INTRAAX® Kit Components Section or Service Kits Section for kit breakdown.

² Not sold separately.



ITEM	DESCRIPTION	QTY	PART NO.
AIR SPRING MOUNTING KITS			
9	NO SPACER AND ALL WELD-ON AND BOLT-ON UNITS WITH STEEL SPACER (Per Air Spring)		S-22619/2
	1/4"-18 NPTF Plug	1	
	1/2"-13 Flanged Nut, Metal	1	
	3/4"-16 Flanged Nut, Metal	2	
9	1-1/8" THICK PLASTIC SPACER (Per Air Spring)		S-22630/2
	1/4"-18 NPTF Plug	1	
	Air Fitting, 1.10"	1	
	Extension Nut Fitting, .65"	2	
	1/2"-13 Flanged Nut, Metal	1	
9	1-7/8" THICK PLASTIC SPACER (Per Air Spring)		S-22631/2
	1/4"-18 NPTF Plug	1	
	Air Fitting, 2.10"	1	
	Extension Nut Fitting, 1.73"	2	
	1/2"-13 Flanged Nut, Metal	1	
	Plug	1	
9	3-1/8" THICK PLASTIC SPACER (Per Air Spring)		S-22632/2
	1/4"-18 NPTF Plug	1	
	Air Fitting, 3.10"	1	
	Extension Nut Fitting, 2.65"	2	
	1/2"-13 Flanged Nut, Metal	1	
	Plug	1	
9	3/4" THICK PLASTIC SPACER (Per Air Spring)		S-22635/2
	1/4"-18 NPTF Plug	1	
	Extension Nut Fitting, .65"	2	
	1/2"-13 Flanged Nut, Metal	1	
PIVOT BOLT/BUSHING KITS			
11	QUIK-ALIGN® PIVOT BOLT KIT (Per Hanger)⁴		S-24679
	7/8" Hardened Flat Washer	2	
	7/8"-9 x 10" Shear Type Bolt	1	
	7/8"-9 UNC Prevailing Torque Heavy Hex Nut	1	
12	QUIK-ALIGN® PIVOT BUSHING KIT (Per Hanger)⁴		S-24691
	7/8" Hardened Flat Washer	2	
	7/8"-9 x 10" Shear Type Bolt	1	
	7/8"-9 UNC Prevailing Torque Heavy Hex Nut	1	
	Bushing Wear Pad	2	
	TRI-FUNCTIONAL® II BUSHING	1	
	Lubricant Packet	1	

⁴ Best installed with E-20 Socket, Hendrickson Part No. A-24303.



ITEM	DESCRIPTION	QTY	PART NO.
SHOCK ABSORBER BOLT KIT			
15	SHOCK ABSORBER BOLT KIT		S-24757/2
	3/4"-10 Hex Head Bolt	1	
	3/4"-10 Hex Nut	1	
	3/4" Hardened Flat Washer	2	
	3/4"-10 x 7" Shear Type Bolt	1	
AXLE NUT KITS			
16	HN SPINDLE TYPE AXLE NUT KIT (Per Wheel)		S-20492/2
	Inner Axle Nut	1	
	Outer Axle Nut	1	
	Lock Washer	1	
	8"-32 x 3/8" Set Screw	1	
16	HP SPINDLE TYPE AXLE NUT KIT (Per Wheel)		S-20475/2
	Inner Axle Nut	1	
	Outer Axle Nut	1	
	Lock Washer	1	
	8"-32 x 3/8" Set Screw	1	
ABS BRACKET KITS			
17	HN SPINDLE TYPE ABS BRACKET KIT (Per Wheel)		S-21064
	Sensor Bracket	1	
	1/4"-20 x 1-3/4" Grade 8, Hex Head Bolt	2	
	1/4"-20 Grade 8, Lock Nut	2	
	1/4" Flat Washer	4	
17	HP SPINDLE TYPE ABS BRACKET KIT (Per Wheel)		S-21070
	Sensor Bracket	1	
	1/4"-20 x 1-3/4" Grade 8, Hex Head Bolt	2	
	1/4"-20 Grade 8, Lock Nut	2	
	1/4" Flat Washer	4	



ITEM	DESCRIPTION	QTY	PART NO.
BRAKE SHOE KITS			
BRAKE SHOE KIT (Per Wheel)⁵			
			S-21266-1
25	Lined Brake Shoe	2	
21	Brake Shoe Roller	2	
22	Roller Retainer	2	
23	Return Spring Pin	2	
BRAKE SHOE KIT (Per Wheel)⁵			
			S-23750-1
25	Lined Brake Shoe	2	
21	Brake Shoe Roller	2	
22	Roller Retainer	2	
23	Return Spring Pin	2	
BRAKE SHOE KIT (Per Wheel)⁵			
			S-23750-3
25	Lined Brake Shoe	2	
21	Brake Shoe Roller	2	
22	Roller Retainer	2	
23	Return Spring Pin	2	
BRAKE SHOE KIT (Per Wheel)⁵			
			S-23751-1
25	Lined Brake Shoe	2	
21	Brake Shoe Roller	2	
22	Roller Retainer	2	
23	Return Spring Pin	2	
BRAKE SHOE KIT (Per Wheel)⁵			
			S-23751-3
25	Lined Brake Shoe	2	
21	Brake Shoe Roller	2	
22	Roller Retainer	2	
23	Return Spring Pin	2	
BRAKE OVERHAUL KITS			
ALL STANDARD BRAKES, MINOR OVERHAUL KIT (Per Wheel)			
			S-21183
18	Anchor Pin	2	
19	Anchor Pin Bushing	2	
20	Brake Retaining Spring	2	
21	Brake Shoe Roller	2	
22	Roller Retainer	2	
23	Return Spring Pin	2	
24	Brake Return Spring	1	
ALL HXS™ BRAKES, MINOR OVERHAUL KIT (Per Wheel)			
			S-23752
18	Anchor Pin	2	
19	Anchor Pin Bushing	2	
20	Brake Retaining Spring	2	
21	Brake Shoe Roller	2	
22	Roller Retainer	2	
23	Return Spring Pin	2	
24	Brake Return Spring	1	
BRAKES, MAJOR OVERHAUL KIT (Per Wheel)⁵			
			S-21184-1
18	Anchor Pin	2	
19	Anchor Pin Bushing	2	
24	Brake Return Spring	1	
20	Brake Retaining Spring	2	
25	Lined Brake Shoes	2	
21	Brake Shoe Roller	2	
22	Roller Retainer	2	
23	Return Spring Pin	2	

⁵ See AA230L/AA250L INTRAAX® Brake and Spindle Components Section for brake lining description.



ITEM	DESCRIPTION	QTY	PART NO.
BRAKE OVERHAUL KITS (CONTINUED)			
BRAKES, MAJOR OVERHAUL KIT (Per Wheel)⁵			S-23753-1
18	Anchor Pin	2	
19	Anchor Pin Bushing	2	
24	Brake Return Spring	1	
20	Brake Retaining Spring	2	
25	Lined Brake Shoes	2	
21	Brake Shoe Roller	2	
22	Roller Retainer	2	
23	Return Spring Pin	2	
BRAKES, MAJOR OVERHAUL KIT (Per Wheel)⁵			S-23753-3
18	Anchor Pin	2	
19	Anchor Pin Bushing	2	
24	Brake Return Spring	1	
20	Brake Retaining Spring	2	
25	Lined Brake Shoes	2	
21	Brake Shoe Roller	2	
22	Roller Retainer	2	
23	Return Spring Pin	2	
BRAKES, MAJOR OVERHAUL KIT (Per Wheel)⁵			S-23754-1
18	Anchor Pin	2	
19	Anchor Pin Bushing	2	
24	Brake Return Spring	1	
20	Brake Retaining Spring	2	
25	Lined Brake Shoes	2	
21	Brake Shoe Roller	2	
22	Roller Retainer	2	
23	Return Spring Pin	2	
BRAKES, MAJOR OVERHAUL KIT (Per Wheel)⁵			S-23754-3
18	Anchor Pin	2	
19	Anchor Pin Bushing	2	
24	Brake Return Spring	1	
20	Brake Retaining Spring	2	
25	Lined Brake Shoes	2	
21	Brake Shoe Roller	2	
22	Roller Retainer	2	
23	Return Spring Pin	2	

⁵ See AA230L/AA250L INTRAAX® Brake and Spindle Components Section for brake lining description.



ITEM	DESCRIPTION	QTY	PART NO.
BRAKE CONVERSION TO HXS™ KITS			
16-1/2" x 7", HXS™, ABEX 3030-197, FMSI 4707			S-23756-1
26	Outer Cam Washer	2	
23	Brake Return Spring	2	
24	Lined Brake Shoe	4	
20	Brake Shoe Roller	4	
21	Roller Retainer	4	
22	Return Spring Pin	4	
25	S-cam	2	
16-1/2" x 8-5/8" HXS™, ABEX 3030-197, FMSI 4711			S-23757-1
26	Outer Cam Washer	2	
23	Brake Return Spring	2	
24	Lined Brake Shoe	4	
20	Brake Shoe Roller	4	
21	Roller Retainer	4	
22	Return Spring Pin	4	
25	S-cam	2	
S-CAM OVERHAUL KITS			
AXLE S-CAM MAJOR OVERHAUL KIT FOR UNITS			
SHIPPED BEFORE 11/24/97 (Per Axle)			S-21181
31	Spider Retaining Ring	2	
34	Spline Retaining Ring	2	
30	S-cam Journal Washer	4	
29	Spider Camshaft Bushing	2	
27	Outer Cam Washer	2	
32	S-cam Support Bushing Assembly	2	
28	Spider Seal	4	
33	Spline Inner Washer	6	
22	Roller Retainer	2	
AXLE S-CAM MAJOR OVERHAUL KIT FOR UNITS			
SHIPPED AFTER 11/24/97 (Per Axle)			S-23974
31	Spider Retaining Ring	2	
34	Spline Retaining Ring	2	
30	S-cam Journal Washer	4	
29	Spider Camshaft Bushing	2	
27	Outer Cam Washer	2	
32	S-cam Support Bushing Assembly	2	
28	Spider Seal	4	
33	Spline Inner Washer	6	
22	Roller Retainer	2	



ITEM	DESCRIPTION	QTY	PART NO.
S-CAM OVERHAUL KITS (CONTINUED)			
WHEEL S-CAM MAJOR OVERHAUL KIT FOR UNITS			
SHIPPED BEFORE 11/24/97 (Per Wheel)			S-21181/2
31	Spider Retaining Ring	1	
34	Spline Retaining Ring	1	
30	S-cam Journal Washer	2	
29	Spider Camshaft Bushing	1	
27	Outer Cam Washer	1	
32	S-cam Support Bushing Assembly	1	
28	Spider Seal	2	
33	Spline Inner Washer	3	
22	Roller Retainer	1	
WHEEL S-CAM MAJOR OVERHAUL KIT FOR UNITS			
SHIPPED AFTER 11/24/97 (Per Wheel)			S-23974/2
31	Spider Retaining Ring	1	
34	Spline Retaining Ring	1	
30	S-cam Journal Washer	2	
29	Spider Camshaft Bushing	1	
27	Outer Cam Washer	1	
32	S-cam Support Bushing Assembly	1	
28	Spider Seal	2	
33	Spline Inner Washer	3	
22	Roller Retainer	1	