

PARTS LIST

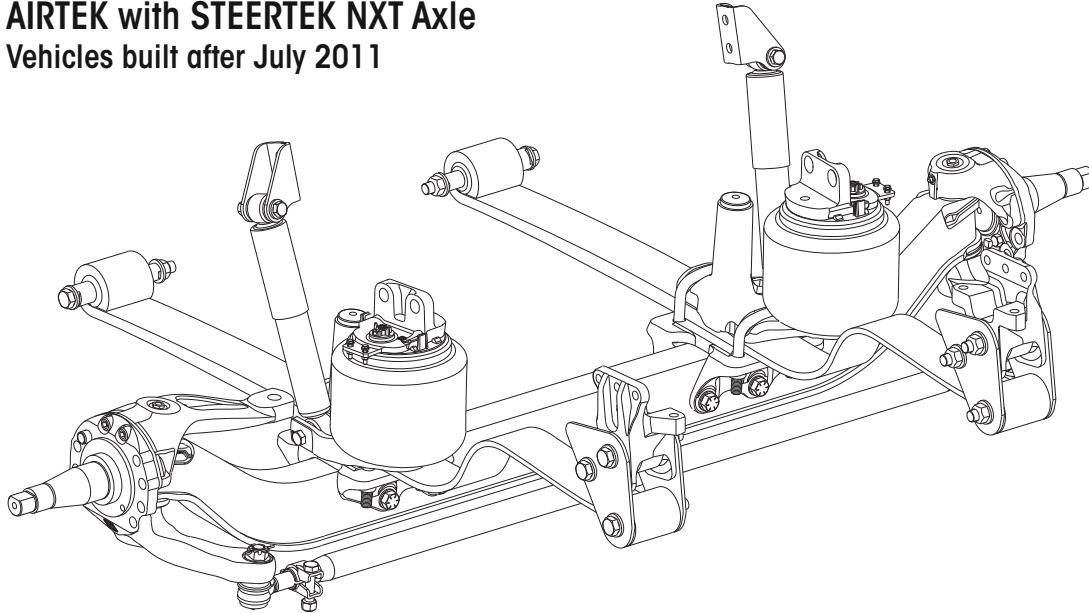
AIRTEK[®] for Mack Vehicles

LIT NO: SP-180

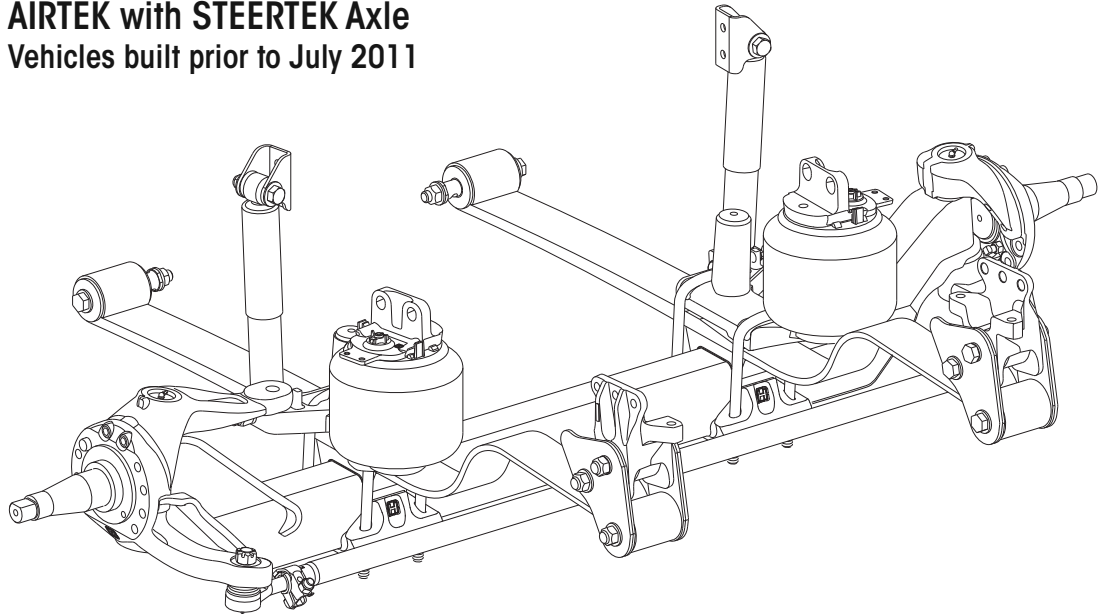
DATE: November 2011

REVISION: D

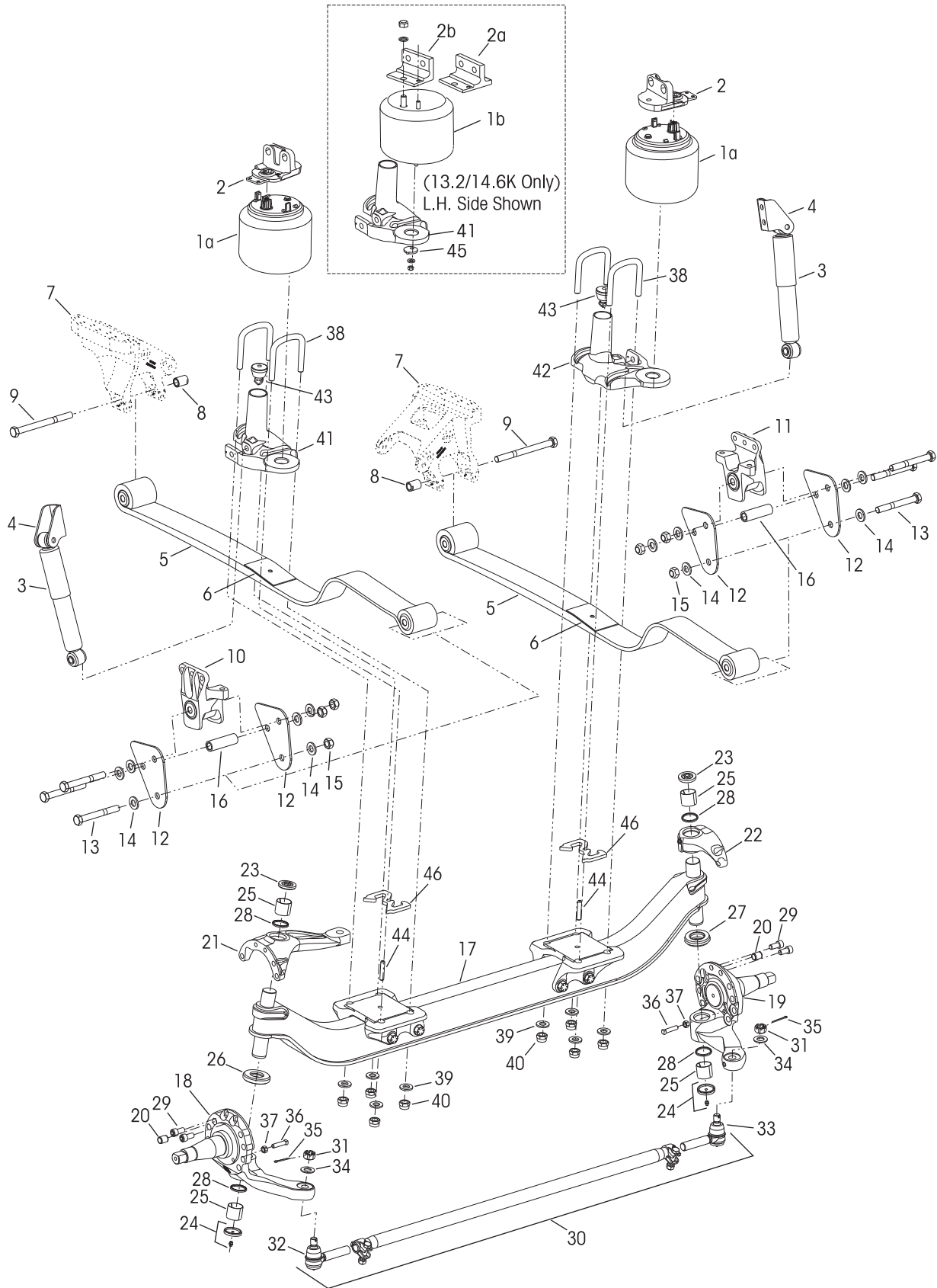
AIRTEK with STEERTEK NXT Axle Vehicles built after July 2011



AIRTEK with STEERTEK Axle Vehicles built prior to July 2011



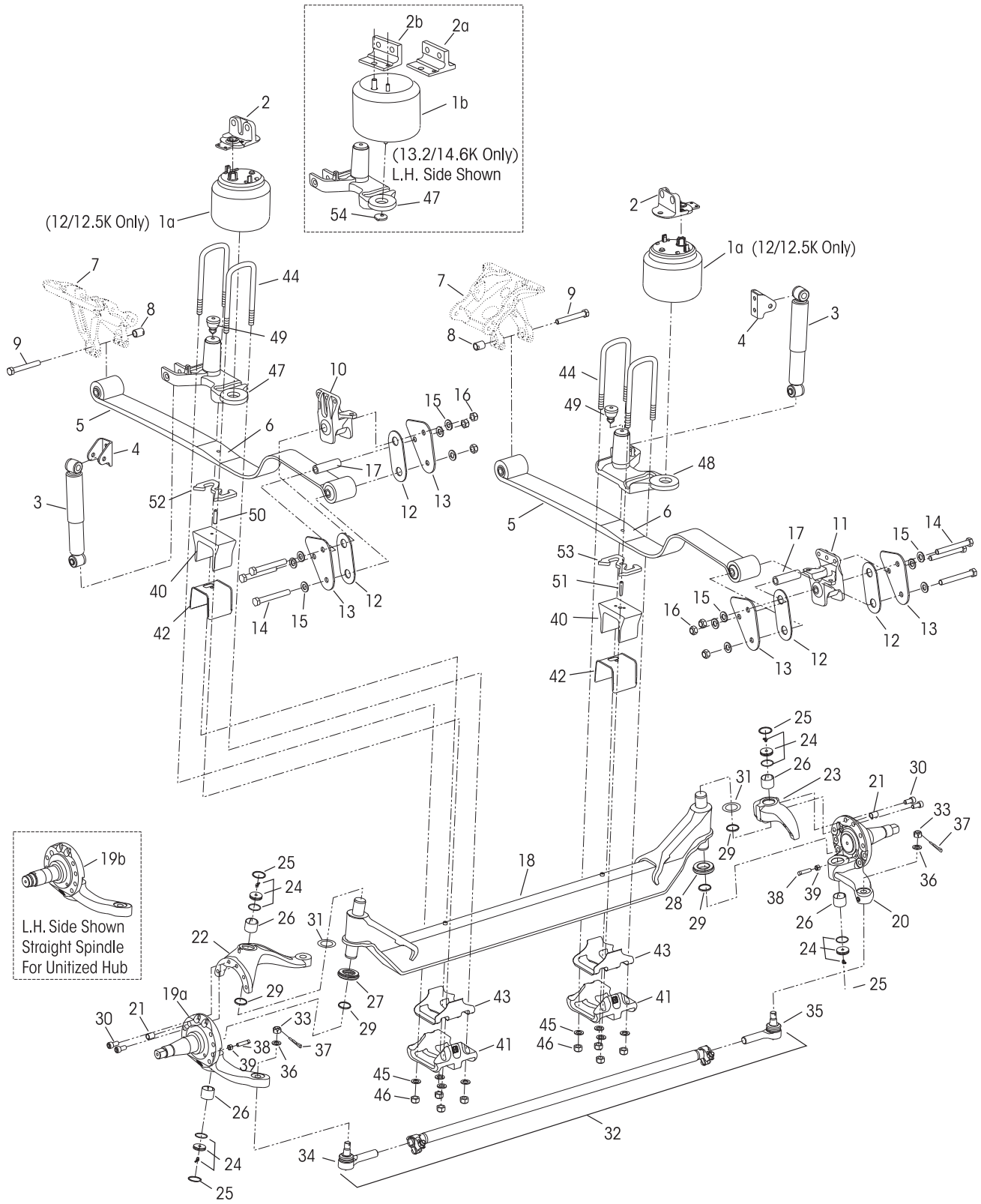
Vehicles built with STEERTEK NXT axle after July, 2011





KEY NO.	PART NO.	DESCRIPTION	NO.REQ.	KEY NO.	PART NO.	DESCRIPTION	NO.REQ.
1		Air Spring	2		60961-630	RH Kingpin Bushing w/Roller Thrust Bearing Service Kit, Includes Key Nos. 23-25, 27-29 & Loctite	
a	66349-002L	12K/12.5K		23	68687-003	Grease Cap Assembly, Upper	2
b	60716-002L	13.2K/14.6K		24	68687-002	Grease Cap Assembly, Lower	2
2		Air Spring Bracket	2	25	58909-001	Kingpin Bushing	4
	60757-000	12K/12.5K 266 Rail			60961-631	Thrust Bearing Service Kit, Axle Set, Includes Kit Nos. 60961-632 & 60961-633	
	60976-000	12K/12.5K 300 Rail			60961-632	LH Composite Thrust Bearing Service Kit, Includes Key Nos. 26, 28-29 & Loctite	
a	60738-001	13.2K/14.6K 266 Rail			60961-633	RH Roller Thrust Bearing Service Kit, Includes Key Nos. 27-29 & Loctite	
b	60738-002	13.2K/14.6K 300 Rail		26	59828-000	LH Composite Thrust Bearing	1
3	64838-003L	Shock Absorber	2	27	64256-000	RH Roller Thrust Bearing	2
4	59423-008	Upper Shock Bracket	2	28	68731-000	Kingpin Seal	4
5	53216-000	Leaf Spring Assembly with Bushings Includes Key No. 6	2	29	60236-001	5/8"-11 UNC Socket Head Cap Screw	4
6		**Steel Galvanized Liner	2	Not Shown	60937-000	Loctite® (Red) Compound Tube	1
7		*Front Spring Hanger	2	30		Tie Rod Assembly, Includes Key Nos. 31-35	1
8	64486-000	Inboard Spring Adapter	2		60239-005	<190 Ackermann, 12K/12.5K	
9	58258-009	M20 x 2.5-6G 230 mm Hex Bolt	2		60239-002	>190 Ackermann, 12K/12.5K	
		LH Rear Shackle Bracket Service Kit, One Side Includes Key Nos. 10, 12-16			64006-001	<190 Ackermann, 13.2K/14.6K	
	68555-001	266 Frame Rail			64006-002	>190 Ackermann, 13.2K/14.6K	
	68556-001	300 Frame Rail		31		**5/8" Castle Nut	2
		RH Rear Shackle Bracket Service Kit, One Side Includes Key Nos. 11-16				***Tie Rod End Service Kit, Axle Set, Includes LH and RH Tie Rod End Service Kits	
	68555-002	266 Frame Rail			60961-010	12K/12.5K	
	68556-002	300 Frame Rail			60961-011	13.2K/14.6K	
10		LH Rear Shackle Bracket w/Bushing (Cast Part No. 64153-001)	1			***LH Tie Rod End Service Kit, Includes Key Nos. 32, 34-35	
	68548-001	266 Frame Rail			60961-025	12K/12.5K	
	68554-001	300 Frame Rail			60961-027	13.2K/14.6K	
11		RH Rear Shackle Bracket w/Bushing (Cast Part No. 64153-002)	1			***RH Tie Rod End Service Kit, Includes Key Nos. 33-35	
	68548-002	266 Frame Rail			60961-026	12K/12.5K	
	68554-002	300 Frame Rail			60961-028	13.2K/14.6K	
	60961-635	Shackle Bracket Service Kit, Axle Set, Includes Key Nos. 12-16		32		***LH Tie Rod End	1
12	64794-000	Shackle Plate	4		64000-001	12K/12.5K	
13	58258-008	M20 x 2.5-6G 160 mm Hex Bolt	6		64002-001	13.2K/14.6K	
14	58246-009	M20 Flat Washer	12	33		***RH Tie Rod End	1
15	58259-001	M20 x 2.5-6H Locknut	6		64000-002	12K/12.5K	
16	60631-002	Shackle Stop Spacer	2		64002-002	13.2K/14.6K	
	68957-0XX	STEERTEK NXT Axle Assembly, Includes Key Nos. 17-43	1	34	22962-007	7/8" Flat Washer	2
17		Axle & Kingpin Assembly, 70.9 KPI	1	35	17800-004	Tie Rod Nut Cotter Pin	2
	68956-003M	12K/12.5K, 338/366 mm Ride Ht., 4.25 Drop		36	60238-001	1/2"-13 UNC Square Head Bolt	2
	68956-004M	12K/12.5K, 338 mm Ride Ht., 5.36 Drop		37	60240-000	1/2"-13 UNC Hex Jam Nut	2
	68956-005M	13.2K/14.6K, 338/366 mm Ride Ht., 4.25 Drop				U-bolt Clamp Group Service Kit, One Side, Includes Key Nos. 38-40	
	68956-006M	13.2K/14.6K, 338 mm Ride Ht., 5.36 Drop				12K/12.5K and 13.2K/14.6K	
18		LH Lower Steering Knuckle Assembly	1		64106-023	338 mm Ride Height	
	58900-407	<190 Ackermann STD Hub			64106-024	366 mm Ride Height	
	58900-409	>190 Ackermann STD Hub		38		M20 x 2.5-6G U-bolt, 12K/12.5K and 13.2K/14.6K	4
	58900-417	<190 Ackermann Unitized Hub			65663-005	338 mm Ride Height, Bolt Length 225 mm	
	58900-419	>190 Ackermann Unitized Hub			65663-006	366 mm Ride Height, Bolt Length 275 mm	
19		RH Lower Steering Knuckle Assembly	1	39	58246-009	M20 Flat Washer	8
	58900-408	<190 Ackermann STD Hub		40	65072-001	M20 x 2.5-6H Nylon Locknut	8
	58900-410	>190 Ackermann STD Hub		41		LH Top Pad Assembly	1
Not Shown	58900-418	<190 Ackermann Unitized Hub			69659-001	266 Frame Rail	
Not Shown	58900-420	>190 Ackermann Unitized Hub			69660-001	300 Frame Rail	
20	64246-000	ABS Sensor Sleeve	2	42		RH Top Pad Assembly	1
21		LH Upper Steering Knuckle Assembly	1		69659-002	266 Frame Rail	
	60903-411	338 mm Ride Height			69660-002	300 Frame Rail	
	60903-413	366 mm Ride Height		43	64080-000	Rubber Axle Stop	2
22	60904-402	RH Upper Steering Knuckle Assembly	1	44		Dowel Pin	2
	60961-628	Kingpin Bushing and Bearing Service Kit, Axle Set, Includes Kit Nos. 60961-629 & -630			57159-004	338 mm Ride Height, 66.8 mm	
	60961-629	LH Kingpin Bushing w/Composite Thrust Bearing Service Kit, Includes Key Nos. 23-26, 28-29 & Loctite			57159-008	366 mm Ride Height, 94.8 mm	
				45	64166-000	Air Spring Adapter for Top Pad 13.2K/14.6K Only	2
				46	64318-028	Axle Spacer, 366 mm Ride Height, 28 mm	2

Vehicles built with STEERTEK axle and Post'07 Engine prior to July 2011





KEY NO.	PART NO.	DESCRIPTION	NO.REQ.	KEY NO.	PART NO.	DESCRIPTION	NO.REQ.
1		Air Spring	2		60961-040	Kingpin Bushing and Bearing Service Kit, Axle Set , Includes Kit Nos. 60961-009 & 60961-039	
a	66349-002L	12K/12.5K, <i>Replaces 60750-002L</i>			60961-009	LH Kingpin Bushing w/Composite Thrust Bearing Service Kit , Includes Key Nos. 24-27, 29-31 & Loctite	
b	60716-002L	13.2K/14.6K			60961-039	RH Kingpin Bushing w/Roller Thrust Bearing Service Kit , Includes Key Nos. 24-26, 28-31 & Loctite	
2		Air Spring Bracket	2		59156-000	Grease Cap Assembly	4
	60757-000	12K/12.5K 266 Rail			58937-000	Retaining Ring	4
	60976-000	12K/12.5K 300 Rail			58909-000	Kingpin Bushing	4
a	60738-001	13.2K/14.6K 266 Rail			60961-043	Thrust Bearing Service Kit, Axle Set , Includes Kit Nos. 60961-041 & 60961-042	
b	60738-002	13.2K/14.6K 300 Rail			60961-041	LH Composite Thrust Bearing Service Kit , Includes Key Nos. 27, 29-31 & Loctite	
3	64838-002L	Shock Absorber	2		60961-042	RH Roller Thrust Bearing Service Kit , Includes Key Nos. 28-31 & Loctite	
4	64241-001	Upper Shock Bracket	2	24	59156-000	Grease Cap Assembly	4
	60961-072	Front Leaf Spring Assembly Service Kit, One Side , Includes Key Nos. 5, 13		25	58937-000	Retaining Ring	4
5	64772-000	Leaf Spring Assembly with Bushings Includes Key No. 6	2	26	58909-000	Kingpin Bushing	4
6		**Steel Galvanized Liner	2		60961-043	Thrust Bearing Service Kit, Axle Set , Includes Kit Nos. 60961-041 & 60961-042	
7		*Front Spring Hanger	2		60961-041	LH Composite Thrust Bearing Service Kit , Includes Key Nos. 27, 29-31 & Loctite	
8	64486-000	Inboard Spring Adapter, <i>Replaces 64162-000</i>	2		60961-042	RH Roller Thrust Bearing Service Kit , Includes Key Nos. 28-31 & Loctite	
9	58258-009	M20 x 2.5-6G 230 mm Hex Bolt	2	27	59828-000	LH Composite Thrust Bearing	1
		LH Rear Shackle Bracket Service Kit, One Side Includes Key Nos. 10, 12-17		28	64256-000	RH Roller Thrust Bearing	1
	64876-001	266 Frame Rail		29	58910-001	Kingpin Seal, <i>Replaces 58910-000</i>	4
	64800-001	300 Frame Rail		30	60236-001	5/8" Socket Head Cap Screw	4
		RH Rear Shackle Bracket Service Kit, One Side Includes Key Nos. 11-17		31	60259-001	Kingpin Shim (As required) 0.005" Thickness	4
	64876-002	266 Frame Rail			60259-002	0.047" Thickness	1
	64800-002	300 Frame Rail		Not Shown	60937-000	Loctite (Red) Compound Tube	1
10		LH Rear Shackle Bracket w/Bushing (Cast Part No. 64153-001)	1	32		Tie Rod Assembly, Includes Key Nos. 33-37 12K/12.5K	1
	64175-001	266 Frame Rail			60239-001	<190 Ackermann, <i>Replaces 64801-002</i>	
	64176-001	300 Frame Rail			60239-002	>190 Ackermann, <i>Replaces 64801-003</i> 13.2K/14.6K	
11		RH Rear Shackle Bracket w/Bushing (Cast Part No. 64153-002)	1		64006-001	<190 Ackermann, <i>Replaces 64442-002</i>	
	64175-002	266 Frame Rail			64006-002	>190 Ackermann, <i>Replaces 64442-003</i>	
	64176-002	300 Frame Rail		33		**5/8" Castile Nut	2
	60961-034	Shackle Bracket Service Kit, Axle Set , Includes Key Nos. 12-17			60961-010	***Tie Rod End Service Kit, Axle Set , Includes LH and RH Tie Rod End Service Kits 12K/12.5K, <i>Replaces 60961-081</i>	
12	64159-000	Thrust Washer	4		60961-011	13.2K/14.6K, <i>Replaces 60961-082</i>	
13	64794-000	Shackle Plate	4			***LH Tie Rod End Service Kit , Includes Key Nos. 34, 36-37 12K/12.5K, <i>Replaces 60961-083</i>	
14	58258-008	M20 x 2.5-6G 160 mm Hex Bolt	6		60961-025	13.2K/14.6K, <i>Replaces 60961-085</i>	
15	58246-009	M20 Flat Washer	12		60961-027	***RH Tie Rod End Service Kit , Includes Key Nos. 35-37 12K/12.5K, <i>Replaces 60961-084</i>	
16	58259-001	M20 x 2.5-6H Locknut	6		60961-028	13.2K/14.6K, <i>Replaces 60961-086</i>	
17	60631-000	Shackle Stop Spacer	2	34		***LH Tie Rod End 12K/12.5K, <i>Replaces 65033-001</i> 13.2K/14.6K, <i>Replaces 65034-001</i>	1
	60952-0XX	STEERTEK Axle Assembly , Includes Key Nos. 18-43	1		64002-001	***RH Tie Rod End 12K/12.5K, <i>Replaces 65033-002</i> 13.2K/14.6K, <i>Replaces 65034-002</i>	1
18		Axle & Kingpin Assembly, 70.9 KPI • 12K/12.5K	1		64000-001	12K/12.5K, <i>Replaces 65033-001</i>	
	64905-001	338/366 mm Ride Ht., 4.25 Drop			64002-001	13.2K/14.6K, <i>Replaces 65034-001</i>	
	64905-003	338 mm Ride Ht., 5.36 Drop • 13.2K/14.6K		35		***RH Tie Rod End 12K/12.5K, <i>Replaces 65033-002</i> 13.2K/14.6K, <i>Replaces 65034-002</i>	1
	64905-005	338/366 mm Ride Ht., 4.25 Drop			64000-002	12K/12.5K, <i>Replaces 65033-002</i>	
	64905-007	338 mm Ride Ht., 5.36 Drop			64002-002	13.2K/14.6K, <i>Replaces 65034-002</i>	
19		LH Lower Steering Knuckle Assembly	1	36	22962-007	7/8" Flat Washer	2
a	58900-007	<190 Ackermann STD Hub		37	17800-004	Tie Rod Nut Cotter Pin	2
a	58900-009	>190 Ackermann STD Hub		38	60238-001	1/2"-13 UNC Square Head Bolt	2
b	58900-017	<190 Ackermann Unitized Hub		39	60240-000	1/2"-13 UNC Hex Jam Nut	2
b	58900-019	>190 Ackermann Unitized Hub		40	59952-017	Top Axle Wrap	2
20		RH Lower Steering Knuckle Assembly	1	41	64722-003	Bottom Axle Wrap	2
	58900-008	<190 Ackermann STD Hub			60961-185	U-bolt Clamp Group Service Kit, One Side , Includes Key Nos. 42-46 12K/12.5K and 13.2K/14.6K 366 mm Ride Height, 4.25 Drop 338 mm Ride Height, 5.36 Drop	
	58900-010	>190 Ackermann STD Hub			60961-186	12K/12.5K, 338 mm Ride Ht., 4.25 Drop	
Not Shown	58900-018	<190 Ackermann Unitized Hub			60961-187	13.2K/14.6K, 338 mm Ride Ht., 4.25 Drop	
Not Shown	58900-020	>190 Ackermann Unitized Hub					
21	64246-000	ABS Sensor Sleeve	2				
22		LH Upper Steering Knuckle Assembly	1				
	60903-011	338 mm Ride Ht.					
	60903-013	366 mm Ride Ht.					
23	60904-002	RH Upper Steering Knuckle Assembly	1				



KEY NO.	PART NO.	DESCRIPTION	NO.REQ.	KEY NO.	PART NO.	DESCRIPTION	NO.REQ.
	60961-015	Top/Bottom Axle Wrap Liner Service Kit, One Side, Includes Key Nos. 42-43		51		RH Dowel Pin	1
42	60508-000	Top Axle Wrap Liner	2		57159-004	• Vehicles equipped with dual HCVs built after 03/05 366 mm Ride Height, 66.8 mm	
43	59845-000S	Bottom Axle Wrap Liner	2		57159-004	• Vehicles equipped with a single HCV built prior to 03/05 338 mm Ride Height, 66.8 mm	
44		M20 x 2.5-6G U-bolt	4		57159-008	366 mm Ride Height, 94.8 mm	
	65663-002	• Vehicles built with Pre'07 Engine, see page 7 12K/12.5K and 13.2K/14.6K 366 mm Ride Ht., Bolt Length 275 mm		52		LH Front Axle Spacer	1
	65663-003	12K/12.5K 338 mm Ride Ht., Bolt Length 225 mm			64318-028	• Vehicles equipped with dual HCVs built after 03/05 366 mm Ride Height, 28 mm	
	65663-004	13.2K/14.6K 338 mm Ride Ht., Bolt Length 255 mm				• Vehicles equipped with a single HCV built prior to 03/05	
45	58246-009	M20 Flat Washer	8		64318-012	338 mm Ride Height, 12 mm	
46	65072-001	M20 x 2.5-6H Locknut	8		64318-020	338 mm Ride Height, 20 mm	
47		LH Top Pad	1		64318-040	366 mm Ride Height, 40 mm	
	67266-001	• Vehicles built with Pre'07 Engine, see page 7 266 Frame Rail, <i>Replaces 64517-001,</i> <i>64172-001L, 64725-001L, 65493-001L</i>			64318-048	366 mm Ride Height, 48 mm	
	67300-001	300 Frame Rail, <i>Replaces 64173-001L,</i> <i>64173-001L, 64727-001L, 65605-001L</i>		53		RH Front Axle Spacer	1
48		RH Top Pad	1			• Vehicles equipped with dual HCVs built after 03/05	
	67266-002	• Vehicles built with Pre'07 Engine, see page 7 266 Frame Rail, <i>Replaces 64517-002,</i> <i>64172-002L, 64725-002L, 65493-002L</i>			64318-028	366 mm Ride Height, 28 mm	
	67300-002	300 Frame Rail, <i>Replaces 64161-002,</i> <i>64173-002L, 64727-002L, 65605-002L</i>		54	64166-000	Air Spring Adapter for Top Pad 13.2K/14.6K Only	2
49	64080-000	Rubber Axle Stop	2				
50		LH Dowel Pin	1				
	57159-004	• Vehicles equipped with dual HCVs, built after 03/05 366 mm Ride Height, 66.8 mm					
	57159-007	• Vehicles equipped with a single HCV built prior to 03/05 338 mm Ride Height, 79.5 mm					
	57159-012	338 mm Ride Height, 85.9 mm					
	57159-009	366 mm Ride Height, 107.2 mm					
	57159-013	366 mm Ride Height, 115 mm					

NOTE: * Not supplied by Hendrickson, used for reference only. Refer to OEM (vehicle manufacturer) for more information. Hendrickson is not responsible for components supplied by vehicle manufacturer. For assistance with maintenance and rebuild instructions on these components see vehicle manufacturer.

** Item included in assembly only, part not sold separately.

*** Hendrickson supplies different tie rod assemblies and each type may take a different replacement tie rod end kit to service. Prior to ordering find the part number on the tie rod tube, see Hendrickson Literature No. SEU-0223 or contact Hendrickson Truck Parts for corresponding kit numbers.

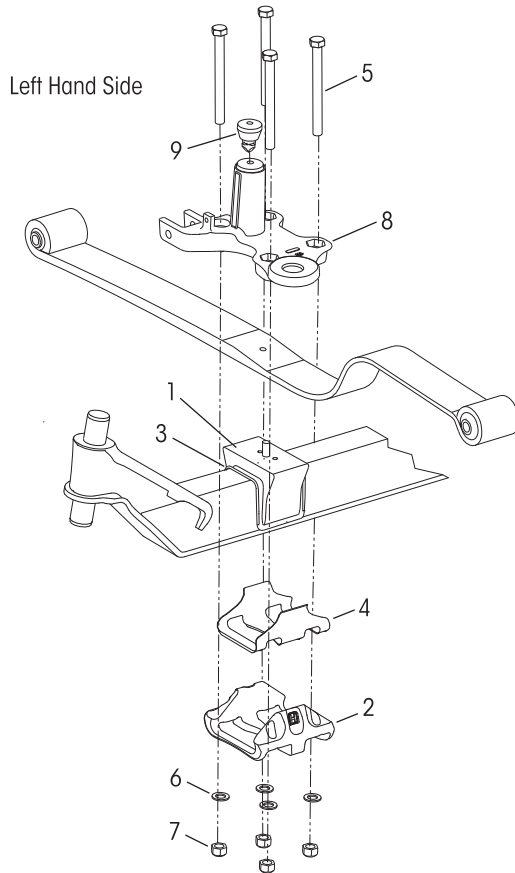
Hendrickson **AIRTEK Ride Height Gauges** for Mack vehicles, order online www.hendrickson-intl.com/literature/lifform.asp:

- 12K/12.5K Capacity Height Gauge – Lit No. 45745-170
- 13.2K/14.6K Capacity Height Gauge – Lit No. 45745-195.



Vehicles built with STEERTEK axle and Pre'07 Engine

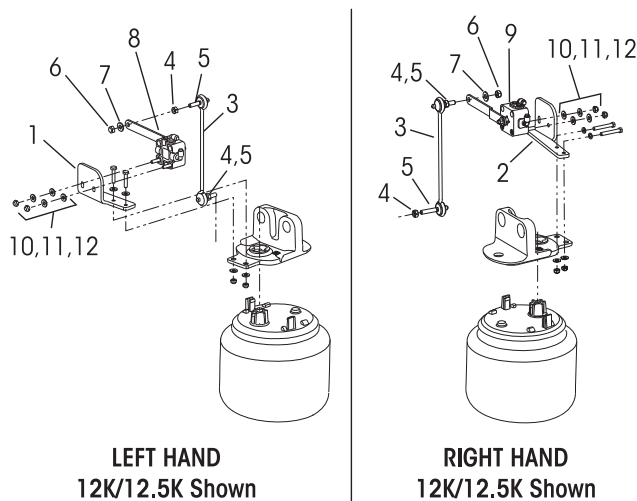
Top Pad with Straight Hex Bolt



KEY NO.	PART NO.	DESCRIPTION	NO. REQ.
1	59952-017	Top Axle Wrap	2
2	64722-003	Bottom Axle Wrap	2
Straight Bolt Clamp Group Service Kit, One Side, Includes Key Nos. 3-7			
	60961-035	• Vehicles equipped with dual HCVs, Built after 03/05 12K/12.5K and 13.2K/14.6K 338 mm Ride Ht.	
	60961-036	366 mm Ride Ht.	
	60961-035	• Vehicles equipped with a single HCV, Built prior to 03/05 12K/12.5K, 338 mm Ride Ht.	
	60961-036	12K/12.5K, 366 mm Ride Ht.	
	60961-037	13.2K/14.6K, 338 mm Ride Ht.	
	60961-038	13.2K/14.6K, 366 mm Ride Ht.	
3	60508-000	Top Axle Wrap Liner	2
4	59845-000S	Bottom Axle Wrap Liner	2
5		M20 x 2.5-6G Hex Bolt	8
	58258-007	• Vehicles equipped with dual HCVs, Built after 03/05 12K/12.5K and 13.2K/14.6K 338 mm Ride Ht., Bolt Length 220 mm	
	58258-011	366 mm Ride Ht., Bolt Length 250 mm	
	58258-009	• Vehicles equipped with a single HCV, Built prior to 03/05 12K/12.5K 338 mm Ride Ht., Bolt Length 230 mm	
	58258-010	366 mm Ride Ht., Bolt Length 260 mm 13.2K/14.6K	
	58258-007	338 mm Ride Ht., Bolt Length 220 mm	
	58258-011	366 mm Ride Ht., Bolt Length 250 mm	
6	58246-009	M20 Flat Washer	8
7	65072-001	M20 x 2.5-6H Locknut	8
8		Top Pad Assembly, (Pre '07 Engine Top Pads are obsolete. If top pad replacement is required, replace with current top pad and U-bolts, see Key Nos. 44,47,48)	
9	64080-000	Rubber Axle Stop	2

Vehicles built between 03/05 and 12/07

Dual Height Control Valves



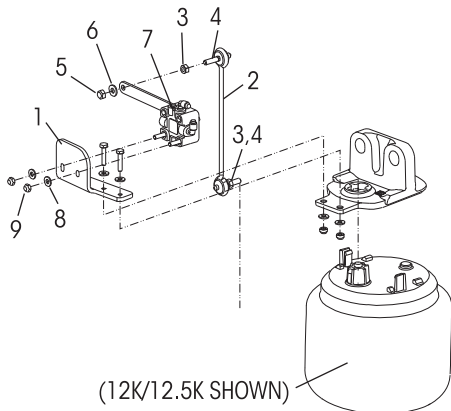
LEFT HAND
12K/12.5K Shown

RIGHT HAND
12K/12.5K Shown

KEY NO.	PART NO.	DESCRIPTION	NO. REQ.
		HCV, Link Mount & Linkage Assembly, Includes Key Nos. 1-12	2
	65601-006	LH 12K/12.5K	
	65601-007	RH 12K/12.5K	
	65602-006	LH 13.2K/14.6K	
	65602-007	RH 13.2K/14.6K	
1		LH Height Control Valve Bracket	1
	64480-005	12K/12.5K	
	64481-005	13.2K/14.6K	
2		RH Height Control Valve Bracket	1
	64480-004	12K/12.5K	
Not Shown	64481-004	13.2K/14.6K	
		HCV & Linkage Assembly	
	59427-025	LH, Includes Key Nos. 3-8, 10-12	1
	59427-026	RH, Includes Key Nos. 3-7, 9-12	1
3	59428-004	Height Control Valve Linkage	2
4	64298-000	M8 x 1.25-6H Hex Nut	4
5	59169-002	M8 Link Stud	4
6	64297-000	M8 x 1.25-6H Locknut	4
7	58246-012	M8 Flat Washer	4
8	59935-017	LH HCV	1
9	59935-016	RH HCV	1
10	58246-014	M6 Flat Washer	4
11	17497-001	¼" Lockwasher	4
12	66388-000	M6 x 1.0-6H Locknut	4



Vehicles built prior to 03/05
Single Height Control Valve



KEY NO.	PART NO.	DESCRIPTION	NO. REQ.
		Single HCV, Link Mount & Linkage Assembly, Includes Key Nos. 1-9	1
	64089-000	12K/12.5K	
	64094-000	13.2K/14.6K	
1		Single Height Control Valve Bracket	1
	64480-000	12K/12.5K	
	64481-000	13.2K/14.6K	
	59427-006	Single Height Control Valve & Linkage Assembly, Includes Key Nos. 2-9	1
2	59428-004	Height Control Valve Linkage	1
3	64298-000	M8 x 1.25-6H Hexnut	2
4	59169-002	M8 Link Stud	2
5	64297-000	M8 x 1.25-6H Locknut	2
6	58246-012	M8 Flat Washer	2
7	59935-003	Height Control Valve	1
8	22962-028	¼" Flat Washer	2
9	49983-000	¼" 20 UNC Locknut	2

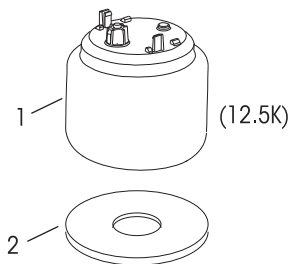
Obtain a Hendrickson **Dual Height Control Valve Conversion Kit** to convert a single height control valve to dual height control valves configuration.

Dual Height Control Valve and Linkage Kit

60961-101	12K/12.5K Capacity
60961-102	13.2K/14.6K Capacity

Vehicles built between 03/05 and 06/07
equipped with dual height control valves

Air Spring with Support Plate
Service Kit No. 60961-182



Vehicles built **between** 03/05 and 06/07, equipped with dual HCVs **must use** Air Spring with Support Plate Service Kit No. 60961-182

KEY NO.	PART NO.	DESCRIPTION	QTY.
1	67304-002	Air Spring (12.5K)	1
2	67149-000	Support Plate	1

This is a general parts list to provide directional information. Components may vary by model. Questions in regards to parts, contact Hendrickson Truck Parts at 1.866.755.5968 (Toll-free U.S. and Canada), 630.910.2800 (Outside U.S. and Canada) or e-mail: truckparts@hendrickson-intl.com.

www.hendrickson-intl.com



Truck Commercial Vehicle Systems
 800 South Frontage Road
 Woodridge, IL 60517-4904 USA

1.866.755.5968 (Toll-free U.S. and Canada)
 630.910.2800 (Outside U.S. and Canada)
 Fax 630.910.2899