

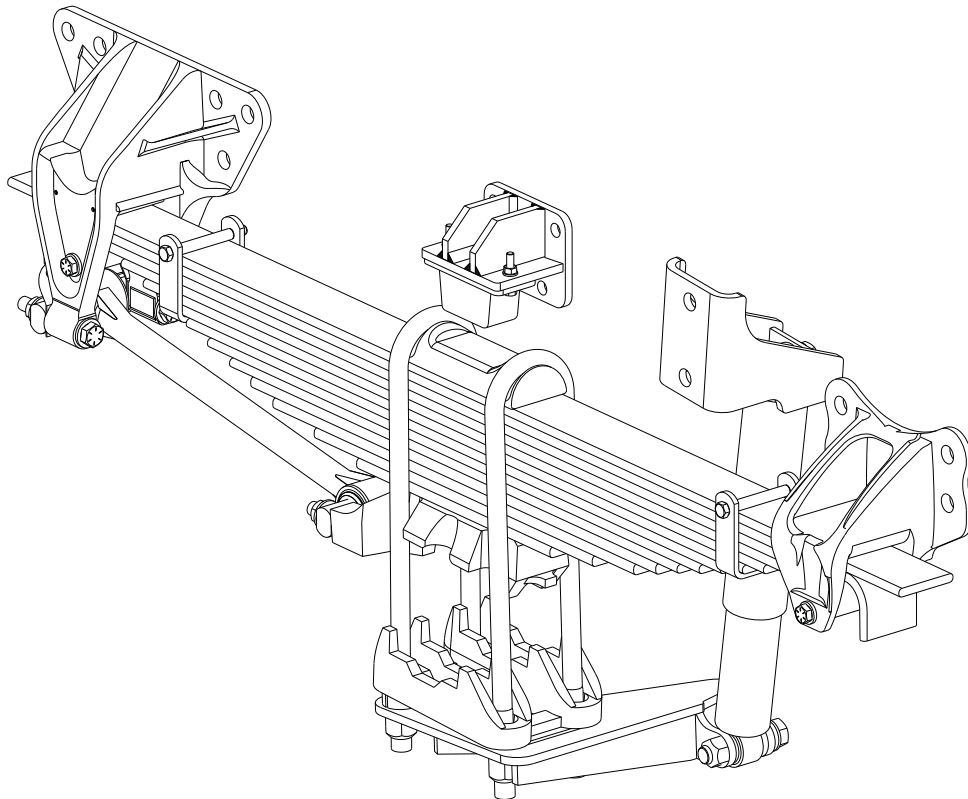
H PARTS LIST

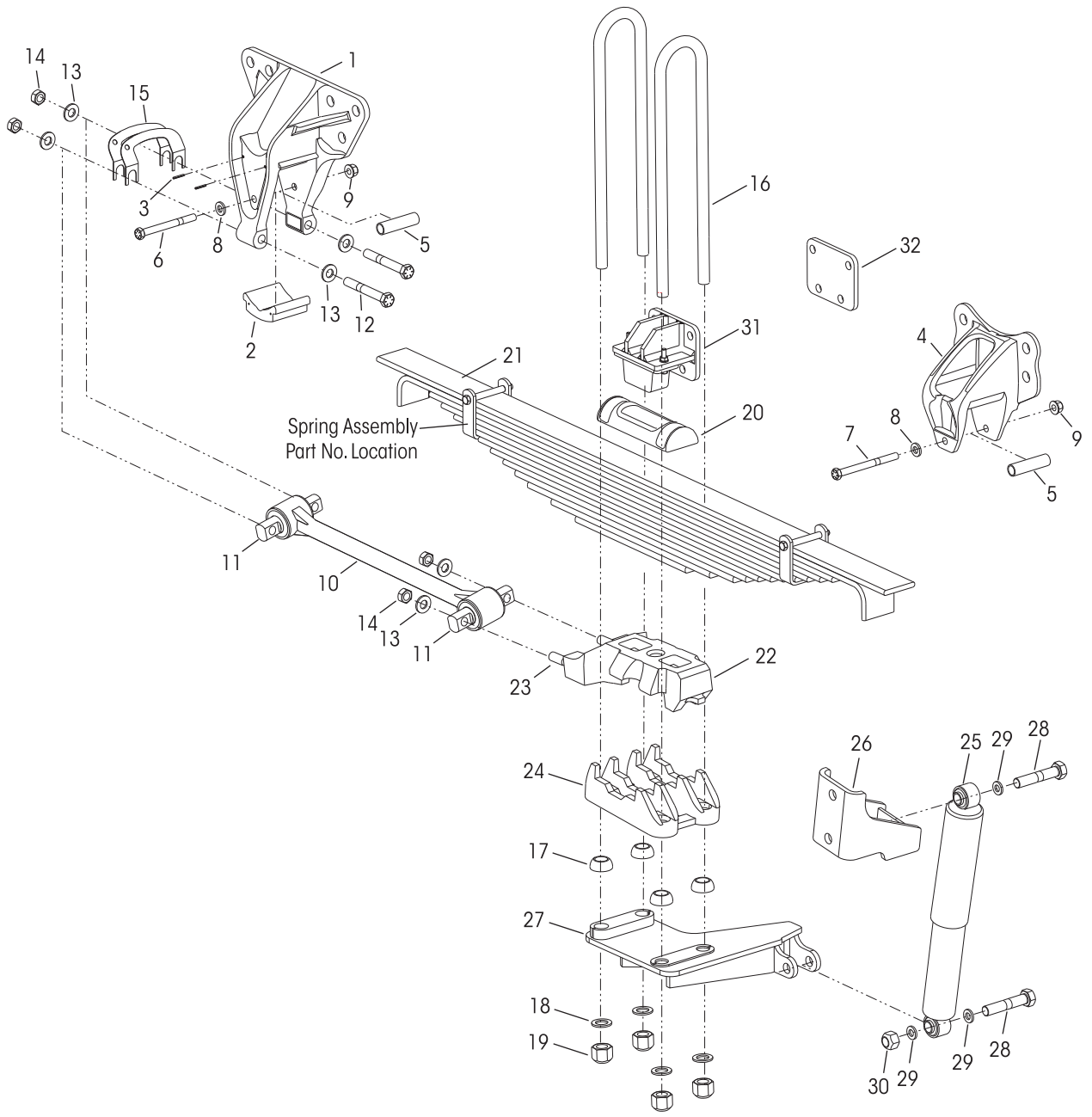
HTS™ 210 for Spartan Chassis, Inc.
Designed for Type C School Bus
Application

LIT NO: SP-229

DATE: December 2011

REVISION: A







HTS™ 210 for Spartan Chassis, Inc., Designed for Type C School Bus Application

KEY NO.	PART NO.	DESCRIPTION	NO.REQ.	KEY NO.	PART NO.	DESCRIPTION	NO.REQ.
1	58425-001	Front Spring Hanger Assembly, Includes Key Nos. 2-3	2	18	22962-002	7/8" Flat Washer	8
2	56929-000	Slipper Pad	2	19	50765-000	7/8"-14 UNF-2B Nut	8
3	58287-001	Retainer Lock Pin	4	20	48797-000	Top Pad	2
4	50028-001	Rear Spring Hanger	2	21		Spring Assembly	2
5	58631-000	Rebound Roller	4		53191-000	HTS 190	
6	24531-015	1/2"-11 UNC-2B X 5.5" Hex Bolt	2		53192-000	HTS 210	
7	24531-014	1/2"-11 UNC-2B X 5.0" Hex Bolt	2	22	50970-002	Spring Seat Assembly, Includes Key Nos. 13-14, 23	2
8	22962-014	1/2" Flat Washer	4	23	50918-000	5/8"-11 UNC Stud	4
9	60819-000	1/2"-11 UNC-2B Flange Nut	4	24	50216-000	Axle Bottom Cap	2
10	62044-495	Longitudinal Torque Rod Assembly, Includes Key No. 11	2	25	60665-025	Shock Absorber	2
11	47691-000L	Torque Rod Bushing	4	26	67530-000	Upper Shock Bracket	2
12	32043-005	5/8"-11 UNC X 4.5" Hex Bolt	4	27		Lower Shock Bracket	
13	22962-004	5/8" Flat Washer	12		67556-003	Left Hand	1
14	47764-000	5/8"-11 UNC Locknut	8		67556-004	Right Hand	1
15	49689-000	Torque Rod Shim	As Req.	28	50764-004	3/4"-10 UNC X 3.75" Hex Bolt	4
	48718-149	U-bolt Fastener Service Kit, Axle Set, Includes Key Nos. 16-19		29	22962-001	3/4" Washer	6
16	47417-010	7/8"-14 UNF- 2A U-Bolt 19.0"	4	30	49842-000	3/4"-10 UNC Nut	2
17	48574-000	7/8" Spherical Washer	8	31	69883-000	Bump Stop Assembly	2
				32	69887-001	Backing Plate	2

This is a general parts list to provide directional information. Components may vary by model. Questions in regards to parts, contact Hendrickson Truck Parts at 1.866.755.5968 (Toll-free U.S. and Canada), 630.910.2800 (Outside U.S. and Canada) or e-mail: truckparts@hendrickson-intl.com.

www.hendrickson-intl.com



Truck Commercial Vehicle Systems
800 South Frontage Road
Woodridge, IL 60517-4904 USA

1.866.755.5968 (Toll-free U.S. and Canada)
630.910.2800 (Outside U.S. and Canada)
Fax 630.910.2899