

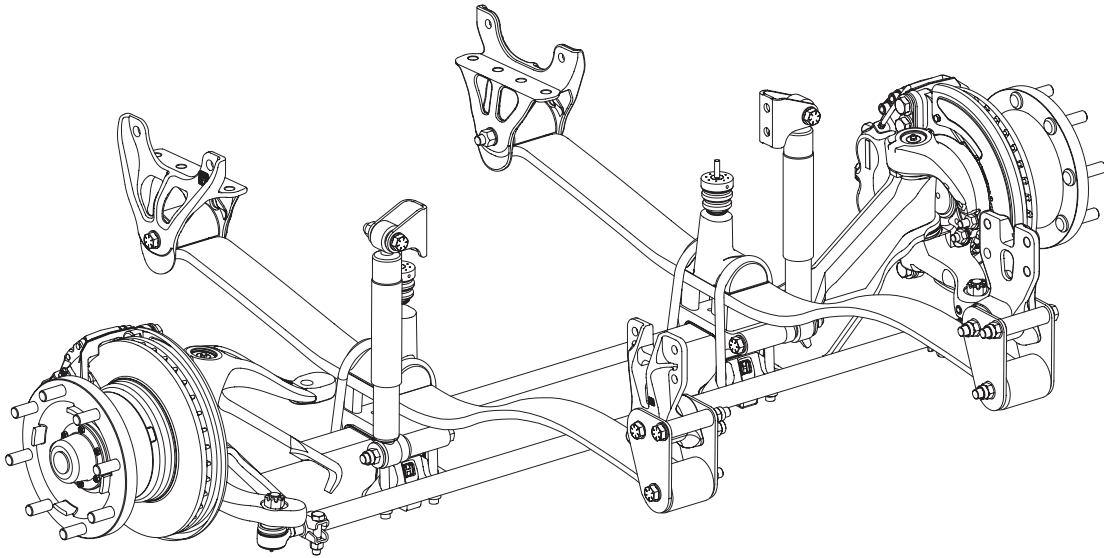
PARTS LIST

SOFTEK® for Workhorse UFO
Motorhome Chassis

LIT NO: SP-214

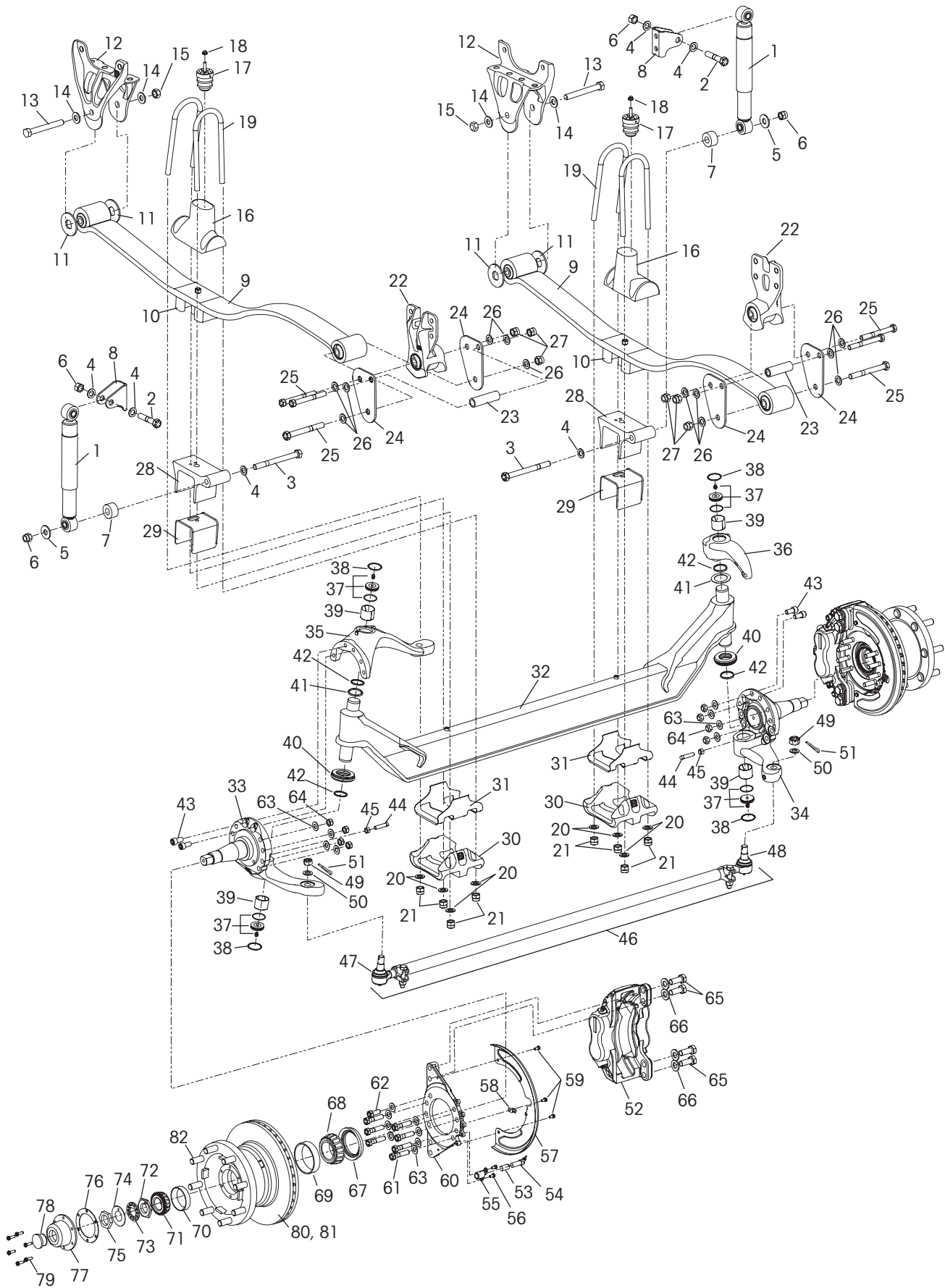
DATE: August 2007

REVISION: B



For The Road Ahead™

 HENDRICKSON





KEY NO.	PART NO.	DESCRIPTION	NO.REQ.
	60961-148	Shock Absorber Service Kit , One Wheel End (Includes Key Nos. 1-7)	
1	66153-002	Shock Absorber	2
2	21867-017	¾"-16 UNF Upper Shock Bolt - 4.0"	2
3	21867-005	¾"-16 UNF Lower Shock Bolt - 8.25"	2
4	22962-001	¾" Flat Washer	6
5	59946-004	Shock Retaining Washer	2
6	17700-035	¾"-16 UNF Locknut	4
7	59946-003	Shock Spacer	2
8	66589-001	Shock Bracket	2
9	66441-002	Leaf Spring Assembly, (Includes Spring Eye Bushing and Z Spacer)	2
10		**Z Spacer (attached to leaf spring)	2
11	67493-000	Thrust Washer - Front Hanger (Replaces 65869-000)	4
12	66297-000	Front Hanger	2
13	21867-006	¾"-16 UNF Bolt - 7.0" (Replaces 58917-009)	2
14	22962-001	¾" Flat Washer	4
15	17700-035	¾"-16 UNF Nylocknut (Replaces 17700-033)	2
16	65925-000	Top Pad / Axle Stop	2
17	66308-001	Auxiliary Bumper	2
18		*M10 x 1.5 Flanged Locknut	2
	60961-151	U-bolt Axle Clamp Kit , One Side (Includes Key Nos. 19-21)	
19	64804-115	¾"-16 UNF U-bolt	4
20	22962-001	¾" Flat Washer	8
21	17700-035	¾"-16 UNF Nylocknut	8
		Rear Shackle Bracket Assembly (Includes Key Nos. 22-27)	
	66511-001	LH	1
	66511-002	RH	1
22	66510-000	Rear Shackle Bracket/Bushing Assembly	2
23	60631-002	Spacer Shackle Stop	2
24	66413-000	Rear Shackle Plate	4
25	58917-021	¾"-10 UNC Bolt - 6.5"	6
26	22962-001	¾" Flat Washer	12
27	17700-033	¾"-10 UNC Nylocknut	6
	64502-043	Axle Wheel End Brake Assembly (Includes Key Nos. 28-78)	1
	63252-521	STEERTEK Axle Assembly (Includes Key Nos. 28-51)	1
	64628-003	Axle Wrap and Liner Service Kit , Axle Set (Includes Key Nos. 28-31)	
28	59952-018	Top Axle Wrap	2
29	60508-000	Top Axle Wrap Liner	2
30	64723-002	Bottom Axle Wrap	2
31	59845-000	Bottom Axle Wrap Liner	2
32	64905-003	Axle & Kingpin Assembly	1
33	58900-061	LH Lower Steering Knuckle Assembly	1
34	58900-062	RH Lower Steering Knuckle Assembly	1
35	60903-052	LH Upper Steering Knuckle Assembly	1
36	60904-002	RH Upper Steering Knuckle Assembly	1
	60961-039	Kingpin Bushing Service Kit , One Wheel End (Includes Key Nos. 37-43 and Loctite)	
37	59156-000	Grease Cap Assembly	4
38	58937-000	Retaining Ring	4
39	58909-000	Kingpin Bushing	4
	60961-042	Roller Thrust Bearing Service Kit , One Wheel End (Includes Key Nos. 40-43 and Loctite)	
40	64256-000	Thrust Bearing - Roller	2
41	60259-002	Kingpin Shim 0.047"	2
Not Shown	60259-001	Kingpin Shim 0.005" (As Needed for Service)	
42	58910-000	Kingpin Seal	4
43	60236-001	⅝"-11 UNC Socket Head Cap Screw	4
Not Shown	60937-000	Loctite® (Red) Compound Tube	1
	60961-069	Stop Bolt Service Kit , One Wheel End (Includes Key Nos. 44-45)	
44	60238-001	½"-13 UNC Square Head Bolt	2
45	60240-000	½"-13 UNC Jam Nut	2

KEY NO.	PART NO.	DESCRIPTION	NO.REQ.
46	60239-008	***Tie Rod Assembly (Includes Key Nos. 47-51)	1
	60961-010	*** Tie Rod End Service Kit , Axle Set (Includes Kit Nos. 60961-025 & -026)	
	60961-025	*** LH Tie Rod End Service Kit (Includes Key Nos. 47, 49-51)	1
	60961-026	*** RH Tie Rod End Service Kit (Includes Key Nos. 48-51)	1
47	64000-001	***LH Tie Rod End	1
48	64000-002	***RH Tie Rod End	1
49		**7/8" Castle Nut (Included in Tie Rod Assembly)	2
50	22962-007	7/8" Hardened Washer	2
51	17800-004	Coffer Pin	2
52		*Caliper Assembly	2
53		*ABS Sensor Clip	2
54		*ABS Sensor	2
55		*ABS Bracket	2
56	18160-012	5/16"-18 UNC Bolt - 0.5" (ABS Bracket)	4
57		*Dust Shield	2
58		*Dust Shield Clip	2
59	64201-001	M8 x 1.25"-6G Cap Screw (Dust Shield)	6
60		*Torque Plate	2
	64625-011	Brake Fastener Kit , One Wheel End (Includes Key Nos. 61-66)	
61	32043-002	5/8"-11 UNC Hex Bolt - 2.75" (Torque Plate)	14
62	32043-021	5/8"-11 UNC Hex Bolt - 1.5" (Torque Plate)	2
63	22962-036	5/8" Hardened Washer (Torque Plate)	24
64	47764-000	5/8"-11 UNC Locknut (Torque Plate)	8
65	58258-017	M20 x 2.5"-6G Hex Bolt (Caliper)	8
66	58246-009	M20 Hardened Washer (Caliper)	8
	64626-008	Front Bearing Wheel End Service Kit One Wheel End (Includes Key Nos. 67-76)	
67	64531-000	Wheel Seal	2
68	64529-000	Inner Bearing Cone	2
69	66810-001	Inner Bearing Cup	2
70	66811-001	Outer Bearing Cup	2
71	64530-000	Outer Bearing Cone	2
72	64671-000	1½"-12 UNF Adj. Inner Nut	2
73	64672-000	1½"-12 UNF Pierced Lock Ring	2
74	64673-000	1½" Lock Washer	2
75	64674-000	1½"-12 UNF Outer Nut	2
76	64546-000	Hubcap Gasket	2
77	64532-000	Hubcap Assembly (Includes Key No. 78)	2
78		** Rubber Plug	
79	64545-002	5/16"-18 UNC Bolt - 0.75" (Hubcap) (Replaces 64545-001)	12
80	66352-001	Hub & Rotor Assembly Steel Hub 1.5.38 x 1.54 Rotor	2
	60961-152	Hub Service Kit , One Wheel End (Includes Key Nos. 69-70, 81-82)	
81	67086-000	Hub	2
82	66812-000	Wheel Stud M22 x 1.25"	16

NOTE:

* Not supplied by Hendrickson, used for reference only. Refer to vehicle manufacturer for more information.

Hendrickson is not responsible for components supplied by vehicle manufacturer. For assistance with maintenance and rebuild instructions on these components see vehicle manufacturer.

** Item included in assembly only, part not sold separately.

*** The tie rod assembly is designed for use on a mechanical suspension with hydraulic brakes, it is not designed for vehicles with air brakes.

This is a general parts list to provide directional information. Components may vary by model. For part questions, contact Hendrickson Sales Engineering at 630.910.2800 (email: truckparts@hendrickson-intl.com).

www.hendrickson-intl.com



Truck Suspension Systems
800 South Frontage Road
Woodridge, IL 60517-4904 USA

630.910.2800
Fax 630.910.2899