

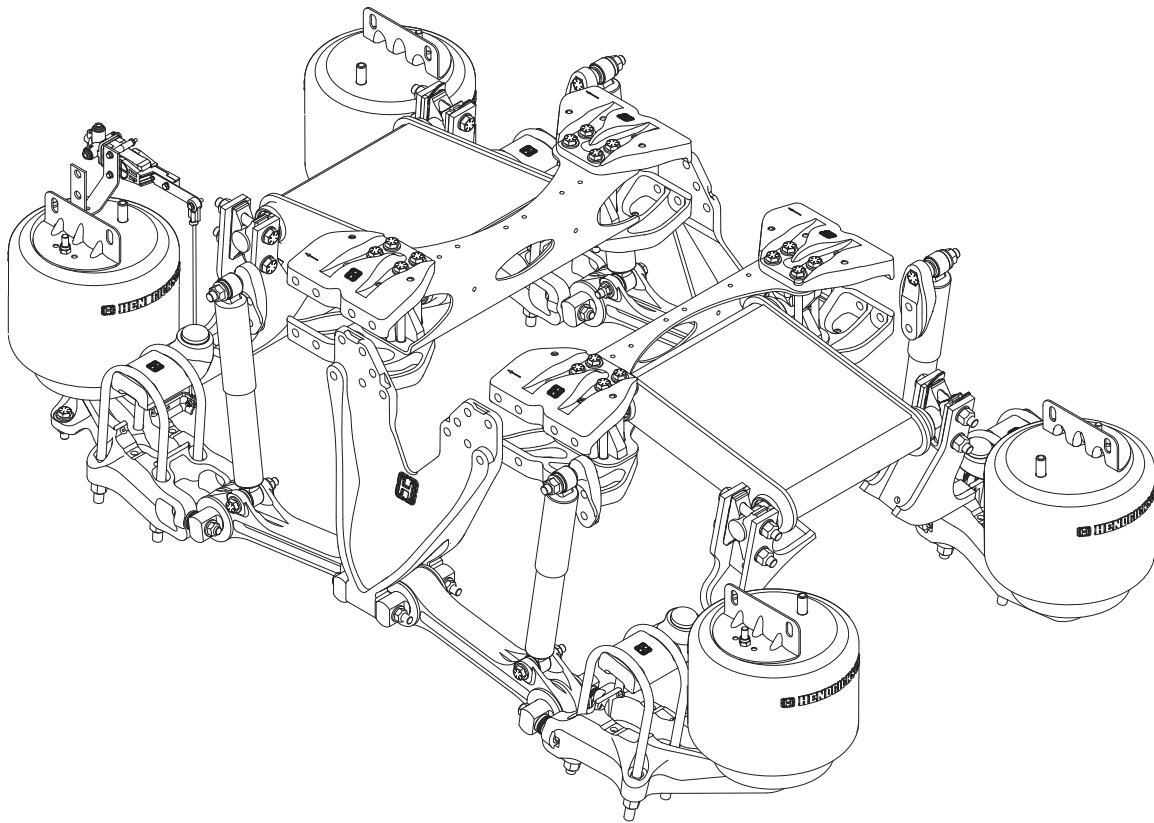
PARTS LIST

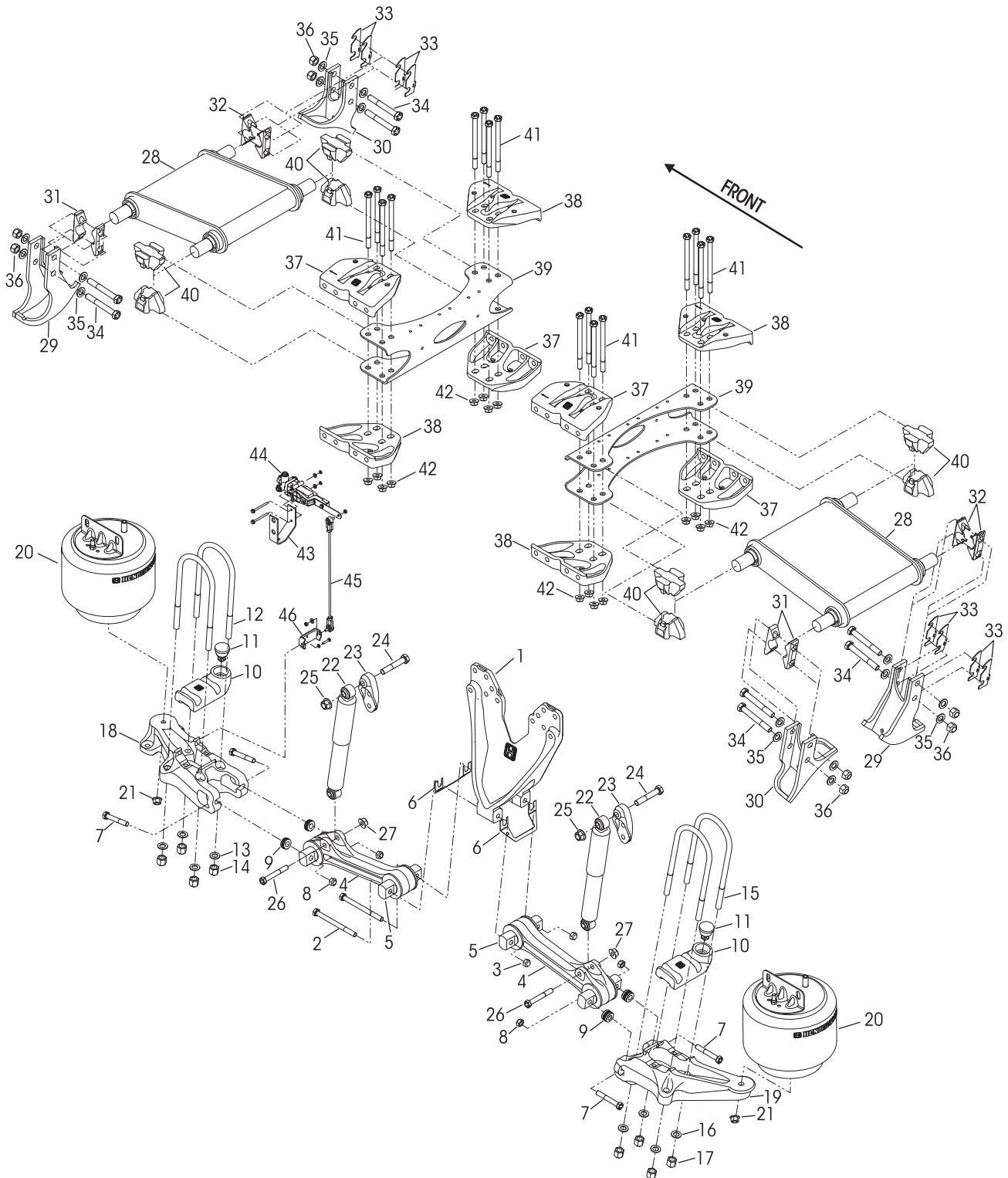
HTB™ 400LT for International
Truck Vehicles

LIT NO: SP-181

DATE: December 2011

REVISION: B







KEY NO.	PART NO.	DESCRIPTION	NO.REQ.	KEY NO.	PART NO.	DESCRIPTION	NO.REQ.
1	65700-000	Frame Hanger	2	22	60657-008	Shock Absorber, <i>Replaces 60657-006</i>	4
2		*5/8"-18 UNF 7.5" Frame Hanger Hex Bolt	4		60657-010	ProStar	
3		*5/8"-18 UNF Frame Hanger Flange Locknut	4		60657-011	Prostar Daycab	
4	64768-398	Torque Rod Assembly, Includes Key No. 5	4	23	67463-002	Shock Absorber Frame Bracket <i>Replaces 65000-002</i>	4
5	64664-000L	**Torque Rod Bushing	8		50754-022	Upper Shock Mount Fastener Kit, Axle Set Includes Key Nos. 24-25	
6		Torque Rod Shims	As Req'd.	24	58917-001	3/4"-10 UNC 4.25" Hex Bolt, <i>Replaces 50764-010</i>	4
	65640-001	0.030"		25	66137-000	3/4"-10 UNC Flange Locknut	4
	65640-002	0.060"		26		*5/8"-18 UNF 4.5" Lower Shock Hex Bolt	4
	65640-003	0.120"		27		*5/8"-18 UNF Lower Shock Flange Locknut	4
7	66636-00X	5/8"-11 UNC Torque Rod Flange Bolt, <i>(See chart below for length and part no.)</i>	8	28	64785-002B	Torque Box Assembly, <i>Replaces 64785-001</i>	2
8	66637-000	5/8"-11 UNC Torque Rod Flange Locknut	8	29		*Tall Axle Bracket	2
9	66193-00X	Pinion Spacer <i>(See chart below)</i>		30		*Short Axle Bracket	2
10	65708-000	Axle Top Pad Assembly, Includes Key No. 11	4	31	66174-000	Axle Bracket Bar Pin Clamp, Non-Adjustable	4
11	64080-000	Axle Stop	4	32	66274-000	Axle Bracket Bar Pin Clamp, Adjustable	4
	48718-115	U-bolt Fastener Kit, Front Includes Key Nos. 12-14	1	33	65737-001	Axle Bracket Spacer (3/32")	8
12	64102-001	3/4"-16 UNF 13.5" U-bolt	4	34		*7/8"-14 UNF 5.5" Axle Bracket Hex Bolt <i>Replaces 3/4"-16 UNF after 1Q/07</i>	8
13	22962-001	3/4" Hardened Flat Washer	8	35		*7/8"-14 UNF Axle Bracket Washer <i>Replaces 3/4"-16 UNF after 1Q/07</i>	16
14	49685-000	3/4"-16 UNF U-bolt Locknut	8	36		*7/8"-14 UNF Axle Bracket Locknut <i>Replaces 3/4"-16 UNF after 1Q/07</i>	8
	48718-116	U-bolt Fastener Kit, Rear Includes Key Nos. 15-17	1			Cross Member Gusset	
15	64102-002	3/4"-16 UNF 14.0" U-bolt	4	37	65705-001	LH Top, RH Bottom	4
16	22962-001	3/4" Hardened Flat Washer	8	38	65705-002	LH Bottom, RH Top	4
17	49685-000	3/4"-16 UNF U-bolt Locknut	8	39	64970-000	Cross Member C-Channel	2
18		Lower Air Spring Bracket, Front <i>(See chart below)</i>	2	40	65144-000	Cross Member Bar Pin Clamp	8
	65638-001	LH-2°-5° Pinion Angle		41		*5/8"-18 UNF 8.75" Cross Member Hex Bolt	16
	65638-002	RH-2°-5° Pinion Angle		42		*5/8"-18 UNF Cross Member Flange Locknut	16
19		Lower Air Spring Bracket, Rear <i>(See chart below)</i>	2	43		*Height Control Valve Bracket	1
	64764-001	LHR-11°-13° Pinion Angle		44		*Height Control Valve	1
	65698-001	LHR-8°-10° Pinion Angle		45		*Linkage Assembly	1
	64764-002	RHR-11°-13° Pinion Angle		46		*Lower HCV Linkage Mounting Bracket	1
	65698-002	RHR-8°-10° Pinion Angle					
20	66643-002L	Air Spring Assembly, <i>Replaces 60977-002L</i>	4				
21		*1/2"-13 UNC Flange Nut	4				

NOTE:

* Not supplied by Hendrickson, used for reference only. Refer to OEM (vehicle manufacturer) for more information. Hendrickson is not responsible for components supplied by vehicle manufacturer. For assistance with maintenance and rebuild instructions on these components see vehicle manufacturer.

** Easy HTB torque rod bushing replacement can be done using the Hendrickson Torque Rod Bushing Assembly Tool (Funnel), Part No. 66086-000.

HTB 400LT PINION ANGLE CHART							
	Pinion Angle	Key No. 18, 19		Key No. 9		Key No. 7	
		Air Spring Bracket Part No.		Pinion Spacer Part No.	Pinion Spacer Thickness	Torque Rod Flange Bolt	
		Left Hand	Right Hand			Length	Part No.
FRONT	2.0°	65638-001	65638-002	None	None	3.5"	66636-004
	3.0°			66193-001	8mm	4.0"	66636-003
	4.0°			66193-002	16mm	4.0"	66636-003
	5.0°			66193-003	24mm	4.5"	66636-002
REAR	8.0°	65698-001	65698-002	66193-003	24mm	4.5"	66636-002
	9.0°			66193-002	16mm	4.0"	66636-003
	10.0°			66193-001	8mm	4.0"	66636-003
REAR	11.0°	64764-001	64764-002	66193-003	24mm	4.5"	66636-002
	12.0°			66193-002	16mm	4.5"	66636-002
	13.0°			66193-001	8mm	4.0"	66636-003

This is a general parts list to provide directional information. Components may vary by model. Questions in regards to parts, contact Hendrickson Truck Parts at 1.866.755.5968 (Toll-free U.S. and Canada), 630.910.2800 (Outside U.S. and Canada) or e-mail: truckparts@hendrickson-intl.com.

www.hendrickson-intl.com



Truck Commercial Vehicle Systems
800 South Frontage Road
Woodridge, IL 60517-4904 USA

1.866.755.5968 (Toll-free U.S. and Canada)
630.910.2800 (Outside U.S. and Canada)
Fax 630.910.2899