

PARTS LIST

HT Y-BEAM

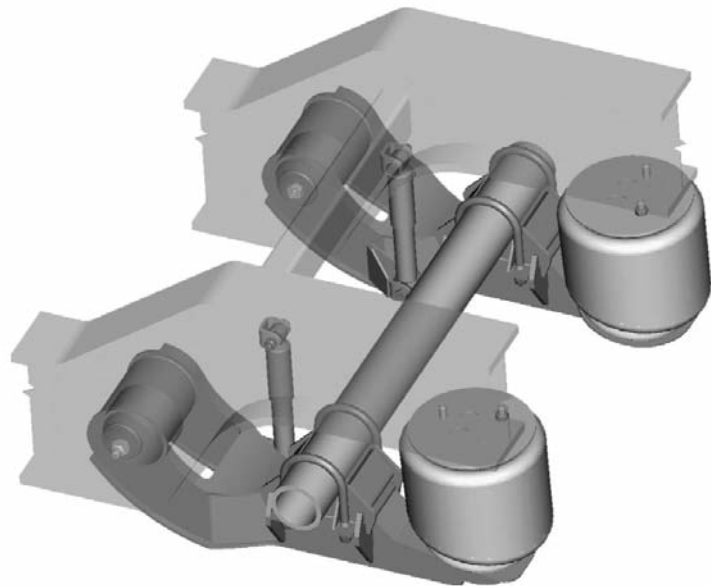
LIT NO: L58

DATE: March 2012

REVISION: G



HT250YS

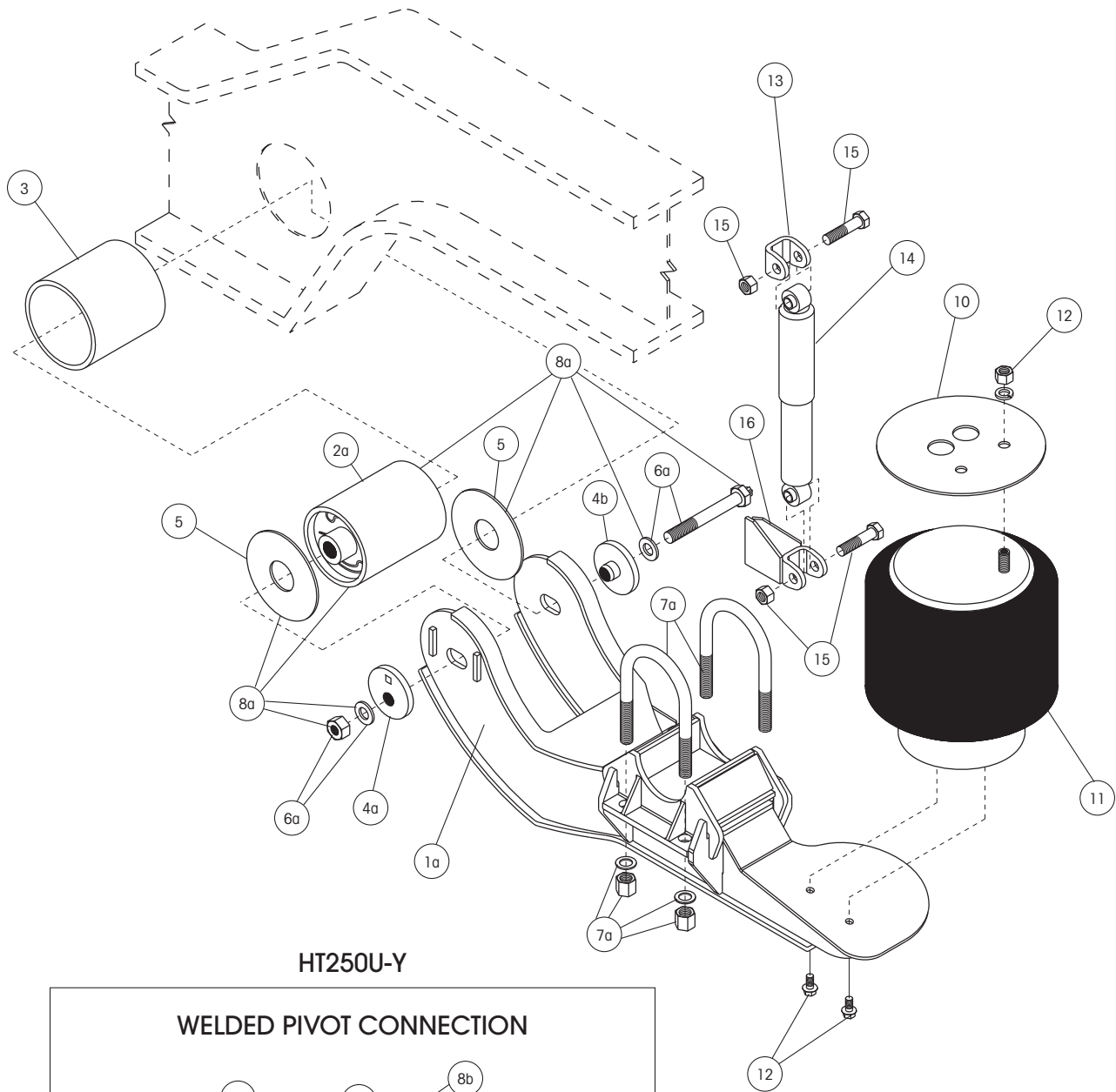


HT250U-Y / HT250YB / HT300YB

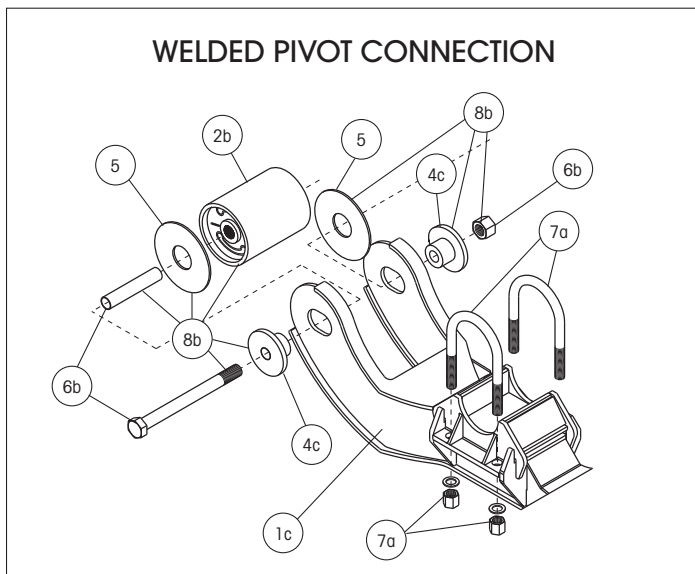


Picture shown may not resemble all models.

HT250U-Y / HT250YB / HT300YB



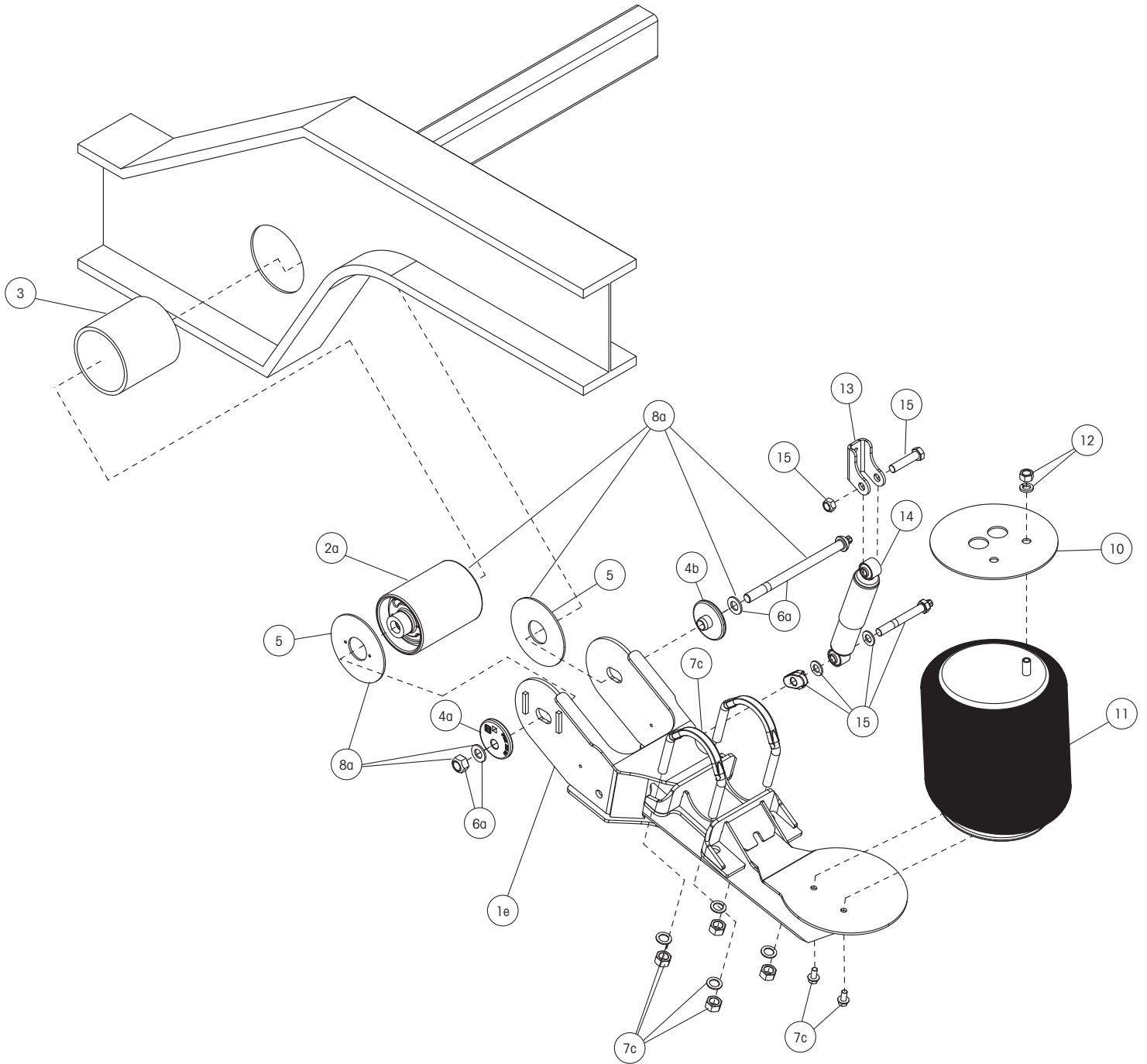
HT250U-Y





Picture shown may not resemble all models.

HT250YS



HT Y-BEAM PARTS LIST



ITEM	DESCRIPTION	PART NO.	QTY. PER SUSP.	Model No. / Description
1	BEAM ASSEMBLY			
1a	Standard, roadside, QUIK-ALIGN®	C-22350-1	1	HT250YB Models only
	Standard, curbside, QUIK-ALIGN	C-22350-2	1	HT250YB Models only
1b	For use with shock straps (not shown)			
	Roadside, QUIK-ALIGN	C-22350-3	1	HT250YB Models only
	Curbside, QUIK-ALIGN	C-22350-4	1	HT250YB Models only
1c	Standard, roadside, welded alignment	S-20131-1	1	HT250U-Y Models only
	Standard, curbside, welded alignment	S-20131-2	1	HT250U-Y Models only
1d	For use with shock straps (not shown)			
	Roadside, welded alignment	S-21076-1	1	HT250U-Y Models only
	Curbside, welded alignment	S-21076-2	1	HT250U-Y Models only
1e	Standard, Roadside, QUIK-ALIGN	D-30873-1	1	HT250YS Models only
	Standard, Curbside, QUIK-ALIGN	D-30873-2	1	HT250YS Models only
1f	Standard, Roadside, QUIK-ALIGN	D-31377-1	1	HT300YB Models only
	Standard, Curbside, QUIK-ALIGN	D-31377-2	1	HT300YB Models only
2	BUSHING ASSEMBLY			
2a	Bushing assembly, QUIK-ALIGN	S-30862	2	HT250YB Models only
2b	Bushing assembly, welded alignment	S-7343	2	HT250U-Y Models only
3	TUBE SLEEVE	S-7342	2	All models
4	ALIGNMENT COLLAR			
4a	Eccentric washer, QUIK-ALIGN	S-20925	2	HT250YB, HT250YS and HT300YB Models only — Pivot bolt hole is offset from center of collar
4b	Concentric washer, QUIK-ALIGN	S-20924	2	HT250YB, HT250YS and HT300YB Models only — Pivot bolt hole is in center of collar
4c	Welded alignment	S-7349	4	HT250U-Y Models only
5	BUSHING TUBE SPACER	S-21099	4	All models
6	PIVOT BOLT KIT			
6a	QUIK-ALIGN	S-25948	2	HT250YB, HT250YS and HT300YB Models only — Includes shear-type bolt, nut and washers
6b	Welded alignment	S-7345	2	HT250U-Y Models only — Includes bolt, nut and liner
7	U-BOLT KIT	S-3650/4	4	All models
7a	U-Bolt Kit, RD	S-3650/4	4	HT250U-Y, HT250YS and HT300YB models only
7b	Flattened U-Bolt / Spacer Kit (not shown)	A-22237	1	HT250YS with 12.25" brakes only
7c	U-Bolt Kit	S-21140/4	4	HT250YS with 16.50" brakes only
8	TRI-FUNCTIONAL® II BUSHING KIT			
8a	TRI-FUNCTIONAL II BUSHING Kit, QUIK-ALIGN	S-26000	2	HT250YB, HT250YS and HT300YB Models only — Includes bushing assembly, bushing tube spacers, bolt and nut
8b	TRI-FUNCTIONAL II BUSHING Kit, Welded Alignment	S-13136	2	HT250U-Y Models only — Includes alignment collars, bushing assembly, bushing tube spacers, bolt, nut and liner
9	BUSHING TUBE SPACER KIT (not shown) WELDED ALIGNMENT	S-26371		HT250U-Y Models only — Includes bolt, nut, liner and bushing tube spacer
10	AIR SPRING PLATE	S-21209	2	All models

Continued on page 5

NOTE: Identification tag can be found on the front of the roadside frame bracket or the inside of the curbside beam.



HT Y-BEAM PARTS LIST

ITEM	DESCRIPTION	PART NO.	QTY. PER SUSP.	Model No. / Description
11	AIR SPRING			
	Standard	S-20127	2	U-6.5Y-005, U-6.5Y-006, U-9Y-006, U-9Y-031, U-9Y-037, U-9Y-706, YB-6.5-006, YB-7.5-006, YB-9-006, YB-6.5-031, YB-7.5-031, YB-9-031, YB-6.5-037, YB-7.5-037, YB-9-037 YS-006, YS-106
	Rotated stud	S-20414	2	U-9Y-010, YB-6.5-010, YB-7.5-010, YB-9-010, YS-010, YS-110
	High pressure, standard	S-20124	2	U-6.5Y-001, U-9Y-001, U-9Y-021, U-9Y-027, YB-6.5-001, YB-7.5-001, YB-9-001, YB-6.5-021, YB-7.5-021, YB-9-021, YB-6.5-027, YB-7.5-027, YB-9-027, YS-001, YS-101
	High pressure, rotated stud	S-20413	2	
	Standard	S-3830	2	All HT300YB Models only
12	AIR SPRING BOLT KIT	S-20033/2	2	All models
13	UPPER SHOCK CLEVIS			
	Standard	S-2592	2	All models except listed below
	Standard (HT250YS)	S-20113	2	All HT300YB Models only
	For use with shock straps (not shown)	S-20113	2	U-9Y-021, U-9Y-031, YB-6.5-021, YB-7.5-021, YB-9-021, YB-6.5-031, YB-7.5-031, YB-9-031
14	SHOCK ABSORBER			
	Standard	S-20002	2	All models except listed below
	Standard (HT250YS)	S-23651	2	All HT250YS Models only
	Extended service, high damping	S-21553	2	U-9Y-027, U-9Y-037, YB-6.5-027, YB-6.5-037, YB-7.5-027, YB-7.5-037, YB-9-027, YB-9-037
15	SHOCK ABSORBER BOLT KIT	S-2157/2	2	All models
		S-2157/2	2	All models except HT250YS
		S-31929/2	2	All HT250YS Models only
16	LOWER SHOCK CLEVIS			
	Roadside	S-20145-1	1	All HT250U-Y, HT250YS, HT300YB models only
	Curbside	S-20145-2	1	All HT250U-Y, HT250YS, HT300YB models only
17	SHOCK STRAP KIT (not shown)			Includes strap and nylon tie
	For A-20002 shock absorber	S-14587-1	1	
	For B-21553 shock absorber	S-14587-8	1	
	For B-23651 shock absorber	C-23086-4	1	All HT250YS Models only

www.hendrickson-intl.com



Hendrickson Canada
250 Chrysler Drive, Unit #3
Brampton, ON Canada L6S 6B6
905.789.1030
Fax 905.789.1033

Trailer Commercial Vehicle Systems
2070 Industrial Place SE
Canton, OH 44707-2641 USA

866.RIDEAIR (743.3247)
330.489.0045
Fax 800.696.4416

Hendrickson Mexicana
Av. Industria Automotriz #200
Parque Industrial Stiva Aeropuerto
Apodaca, N.L., México C.P. 66600
+52 (81) 8288.1300
Fax +52 (81) 8288.1301