

# **PARTS LIST**

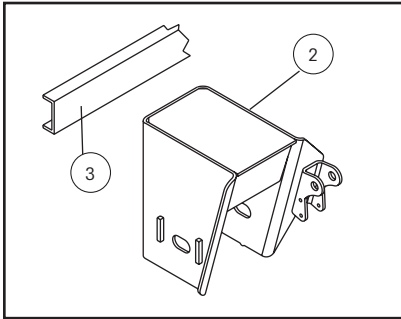
## INTRAAX AAEDL

LIT NO: L1058

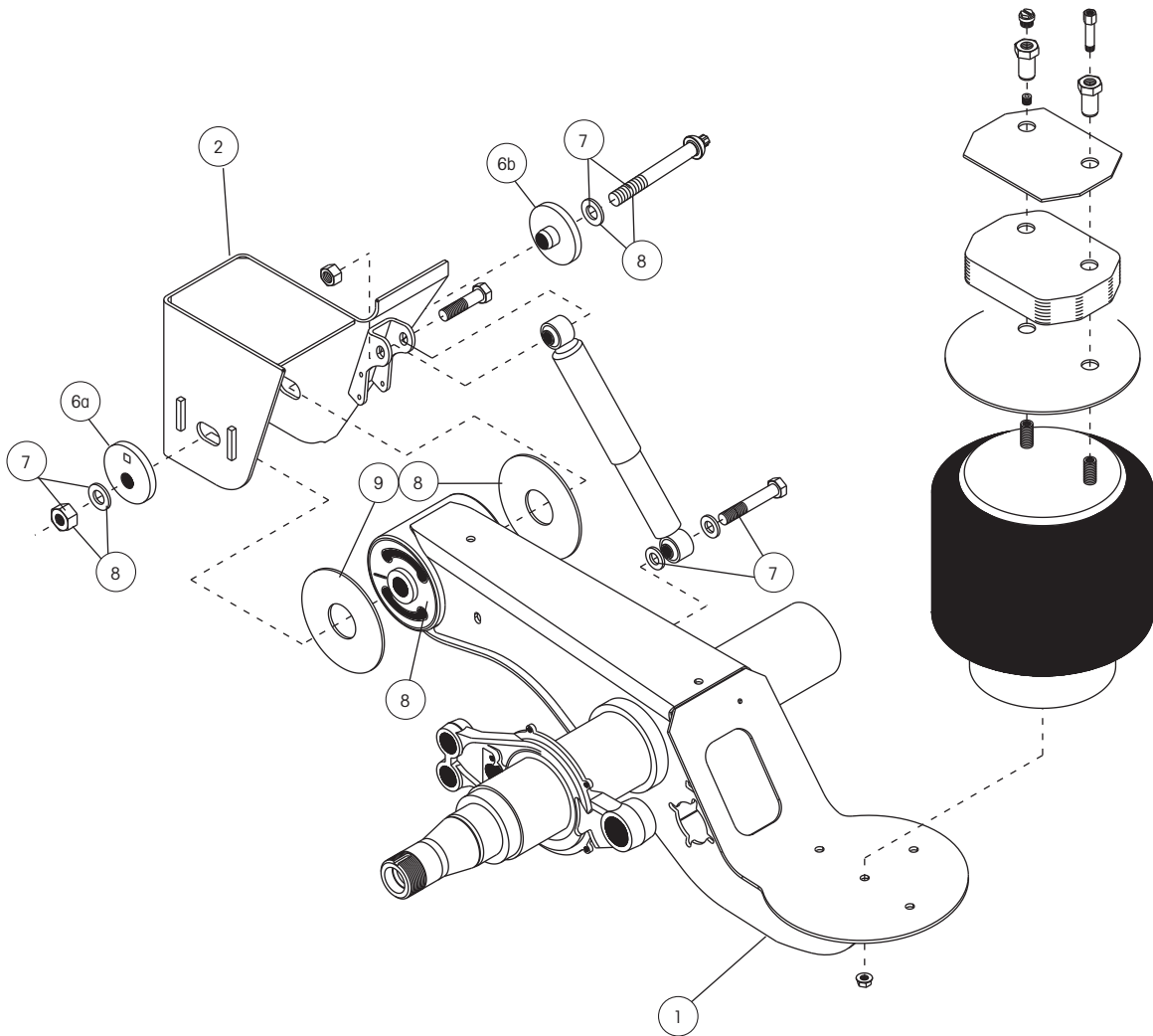
DATE: January 2012

---





Wingless, weld-on frame bracket with QUIK-ALIGN®



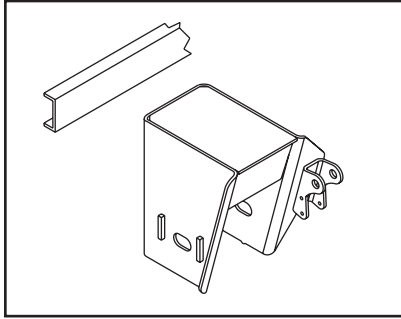


ITEM	DESCRIPTION	PART NO.	QTY.	NOTE
1	AXLE / BEAM WELDMENT	HTRAAX.###	1	Contact Hendrickson for assistance
2	FRAME BRACKET <sup>1</sup>			
	2a Weld-on, Winged (Qty. 1 each)			
		<b>ROADSIDE</b>	<b>CURBSIDE</b>	<b>RIDE HEIGHTS</b>
		S-25401-1L	S-25401-1R	9" Ride Heights
		S-24766-2L	S-24766-2R	12" Ride Height
		S-24766-3L	S-24766-3R	14" and 15" Ride Heights
		S-24766-4L	S-24766-4R	16" and 17" Ride Heights
		S-24766-5L	S-24766-5R	19" Ride Height
	2b Weld-on, Wingless (Qty. 1 each)			
		<b>ROADSIDE</b>	<b>CURBSIDE</b>	<b>RIDE HEIGHTS</b>
		S-24767-7L	S-24767-7R	9" Ride Heights
		S-24767-2L	S-24767-2R	12" Ride Height
		S-24767-4L	S-24767-4R	16" and 17" Ride Heights
	2c Bolt-on, Winged, Standard Connection (Qty. 1 each)		<b>1/2" MOUNTING HOLES</b>	
		<b>ROADSIDE</b>	<b>CURBSIDE</b>	<b>RIDE HEIGHTS</b>
		S-30964-4L	S-30964-4R	9" Ride Heights
		S-30963-5L	S-30963-5R	12" Ride Height
		S-30963-6L	S-30963-6R	14" and 15" Ride Heights
		S-30965-1L	S-30965-1R	16" and 17" Ride Heights
		S-30965-2L	S-30965-2R	19" Ride Height
			<b>5/8" MOUNTING HOLES</b>	
		<b>ROADSIDE</b>	<b>CURBSIDE</b>	<b>RIDE HEIGHTS</b>
		S-30964-14L	S-30964-14R	9" Ride Heights
		S-30963-21L	S-30963-21R	12" Ride Height
		S-30963-22L	S-30963-22R	14" and 15" Ride Heights
		S-30965-3L	S-30965-3R	16" and 17" Ride Heights
		S-30965-4L	S-30965-4R	19" Ride Heights
	2d Weldable Bolt-on, Winged, Standard Connection (Qty. 1 each)			
		<b>ROADSIDE</b>	<b>CURBSIDE</b>	<b>RIDE HEIGHTS</b>
		S-24768-1L	S-24768-1R	12" Ride Height
		S-24768-2L	S-24768-2L	14" and 15" Ride Heights
		S-29675-3L	S-29675-3R	16" and 17" Ride Heights
		S-29675-4L	S-29674-4R	19" Ride Height
3	FRAME BRACKET CHANNEL	A-1631-19	1	Axle tracks of 71.5" to 77.5"
		A-1631-35	1	Axle tracks of 83.5 to 85.0
4	FRAME BRACKET GUSSET (Not Shown)	S-27730	2	9" - 17" ride height
5	FRAME BRACKET BRACE (Not Shown)	B-2347-7	1	Used for 19" ride height
6	ALIGNMENT COLLARS			
	6a Eccentric Alignment Collar (outer)	S-20925	2	Pivot bolt hole is offset from center of collar
	6b Concentric Alignment Collar (inner)	S-20924	2	Pivot bolt hole is in center of collar
7	QUIK-ALIGN® PIVOT BOLT KIT	S-24679	2	Includes 10" bolt, hexnut and (2) hardened washers
8	TRI-FUNCTIONAL® BUSHING KIT <sup>2</sup>	S-24691	2	Includes (1) TRI-FUNCTIONAL Bushing, (1) pivot bolt kit, (2) bushing tube spacers and lube packet
9	BUSHING TUBE SPACERS	S-21099	4	

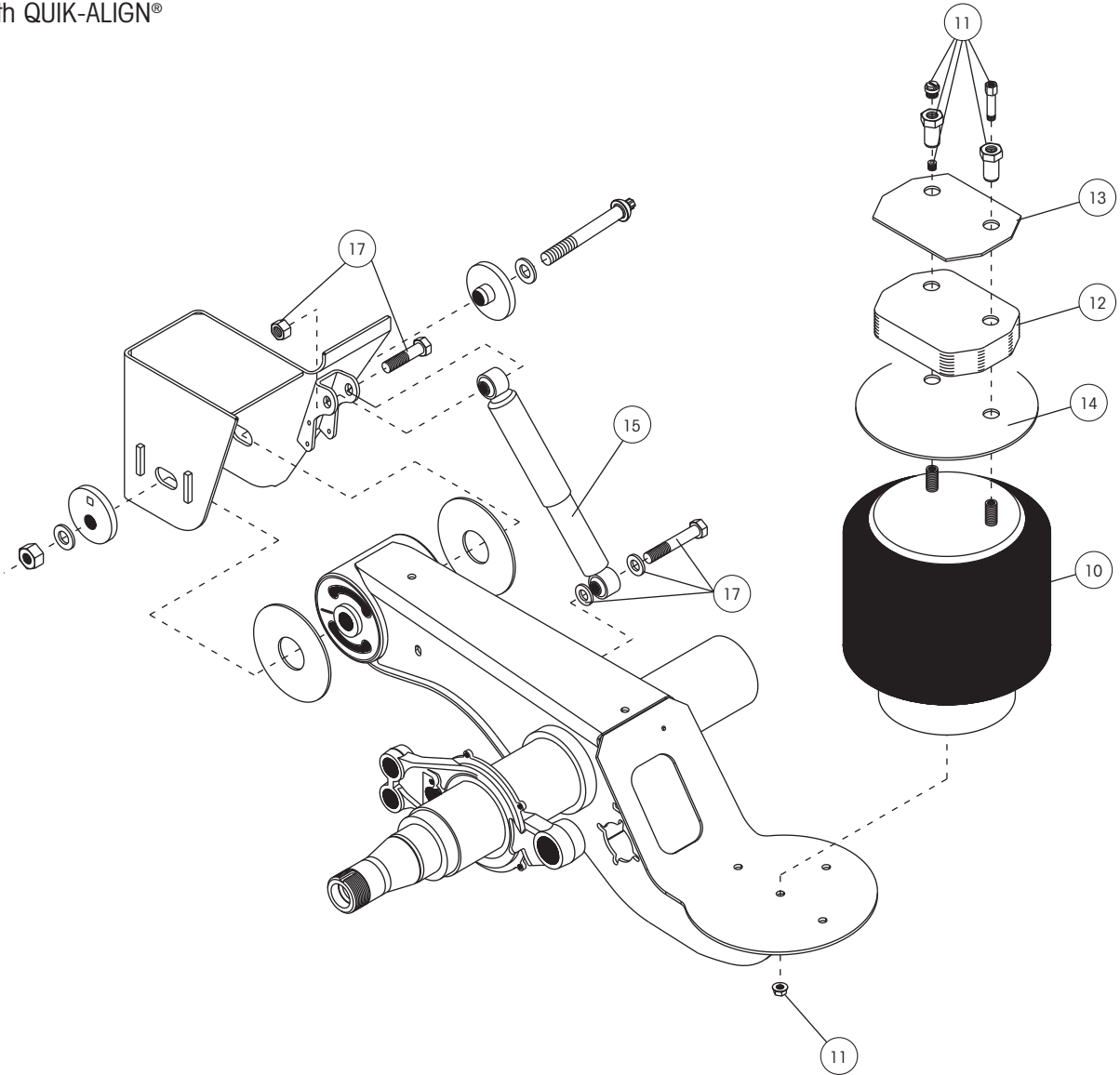
<sup>1</sup>Many options exist based on frame attachment, frame bracket style, bolt hole pattern and connection. Contact Hendrickson for assistance.

<sup>2</sup>Bushing tool (S-21307) is required to correctly re-bush the suspension.

Note: Identification tag can be found on the inside of the curbside beam.



Wingless, weld-on frame bracket with QUIK-ALIGN®





ITEM	DESCRIPTION	PART NO.	QTY.	NOTE
<b>10</b>	<b>AIR SPRINGS</b>			
	<b>STANDARD PRESSURE</b>			
	<b>10a</b> 9" Ride heights	S24445	2	
	<b>10b</b> 12" to 19" Ride heights	S24446	2	
<b>11</b>	<b>AIR SPRINGS MOUNTING KIT<sup>1</sup></b>			One (1) kit per air spring
	<b>11a</b> Standard Travel			
	9" to 12" Ride heights	S-25452/2	2	
	14" Ride heights	S-25453/2	2	
	15" to 16" Ride heights	S-25455/2	2	
	17" to 19" Ride heights	S-25452/2	2	
	<b>11b</b> Standard Travel — Thick .90 - 1.25" Frame			
	9" to 12" Ride heights — Thick .90 - 1.25" Frame	S-25453/2	2	
	14" Ride heights	S-25454/2	2	
	15" to 16" Ride heights	S-25452/2	2	
	<b>11c</b> Limited Jounce			
	9" to 12" Ride heights — Thick .90 - 1.25" Frame	S-25454/2	2	
	14" Ride heights	S-25455/2	2	
	15" to 19" Ride heights	S-25452/2	2	
	<b>11d</b> Limited Jounce — Thick .90 - 1.25" Frame			
	14" Ride heights	S-25455/2	2	
	15" to 16" Ride heights	S-25452/2	2	
<b>12</b>	<b>AIR SPRING SPACER<sup>1</sup></b>			
	14" Ride height	B-22510-4	2	Weld-on and bolt-on hangers
	15" and 16" Ride heights	B-22510-3	2	Weld-on and bolt-on hangers; Standard air spring mount
	15" and 16" Ride heights	D-27049-8	2	Weld-on hangers; Thick 0.9" to 1.25" air spring mount
	17" Ride height	D-27049-5	2	Weld-on hangers
	19" Ride height	D-27049-4	2	Weld-on hangers
<b>13</b>	<b>AIR SPRING MOUNTING PLATE</b>			
	14" to 16" Ride heights	S-20905	2	Weld-on hangers; standard air spring mounting
	14" to 16" Ride heights	S-21145	2	Bolt-on hangers; standard air spring mounting
	14" Ride height	S-20905	2	Weld-on hangers; thick 0.9" to 1.25" air spring mounting
<b>14</b>	<b>AIR SPRING FLEX PLATE</b>			
	9" to 19" Ride Heights	S-23294	2	Weld-on hangers; standard travel
	9" and 12" Ride heights	B-24813	2	Bolt-on hangers; standard travel
	14" to 19" Ride heights	S-23294	2	Bolt-on hangers; standard travel
<b>15</b>	<b>FRONT SHOCKS</b>			Extended service / High damping
	For 9" Ride height	S-24579	2	
	For 12" Ride height	S-24023	2	
	For 14" to 19" Ride heights	S-23316	2	
<b>16</b>	<b>REAR SHOCKS (not shown)</b>			
	9" to 12" Ride heights	S-25436	2	
	For 14" through 17" Ride heights	S-25437	2	
<b>17</b>	<b>SHOCK BOLT KIT</b>			(1) One kit per shock
	Front shocks	S-24757/2	2	
	Rear shocks (not shown)	S-2157/2	2	

<sup>1</sup>Other options exist contact Hendrickson for assistance.


**REBOUND LIMITER COMPONENTS — Not Shown**

ITEM	DESCRIPTION	PART NO.	QTY.	NOTE
<b>18</b>	<b>REBOUND LIMITER CHAIN</b>			
	9" Ride height	SA-9600-10	2	
	12" Ride height	SA-9600-12	2	
	14" - 17" Ride heights	SA-9600-14	2	
	19" Ride height	SA-9600-16	2	
<b>19</b>	<b>SHOCK SPACER</b>	A-25429	4	
<b>20</b>	<b>CHAIN BRACKET FLANGED BOLT</b>	SA-9600-16	2	
		SA-6900-20	4	
<b>21</b>	<b>CHAIN BRACKET FLANGED NUT</b>	SA-7000-2	2	
		SA-7000-6	4	
<b>22</b>	<b>ADJUSTMENT BRACKET</b>	C-25426	2	
<b>23</b>	<b>ADJUSTMENT ARM</b>	B-25270	2	
<b>24</b>	<b>ADJUSTMENT ARM JAM NUT</b>	SA-3300-2	2	
<b>25</b>	<b>LOWER CHAIN BRACKET (L)</b>	C-25271-1	1	
<b>26</b>	<b>LOWER CHAIN BRACKET (R)</b>	C-25271-2	1	
<b>27</b>	<b>CHAIN BRACKET BOLT</b>	SA-1000-31	6	
<b>28</b>	<b>CHAIN BRACKET NUT</b>	SA-8900-3	6	



---

[www.hendrickson-intl.com](http://www.hendrickson-intl.com)



Hendrickson Canada  
250 Chrysler Drive, Unit #3  
Brampton, ON Canada L6S 6B6  
905.789.1030  
Fax 905.789.1033

Trailer Commercial Vehicle Systems  
2070 Industrial Place SE  
Canton, OH 44707-2641 USA

866.RIDEAIR (743.3247)  
330.489.0045  
Fax 800.696.4416

Hendrickson Mexicana  
Av. Industria Automotriz #200  
Parque Industrial Sliva Aeropuerto  
Apodaca, N.L., México C.P. 66600  
+52 (81) 8288.1300  
Fax +52 (81) 8288.1301