

# **H** PARTS LIST

## HT190T TOP MOUNT

LIT NO: L936

DATE: February 2008

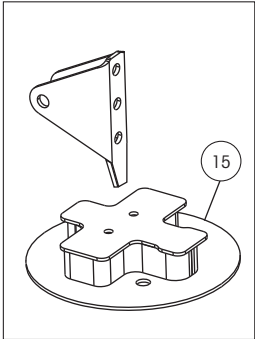
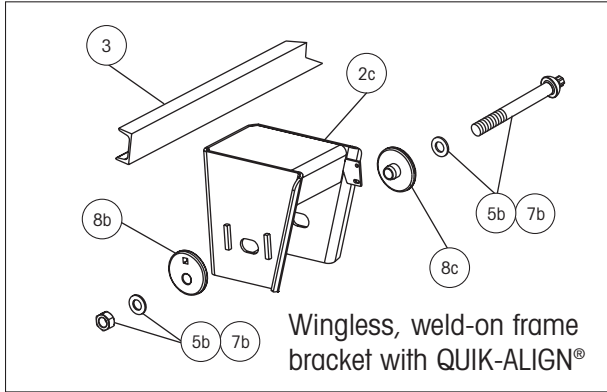
---



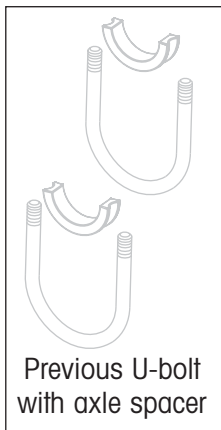
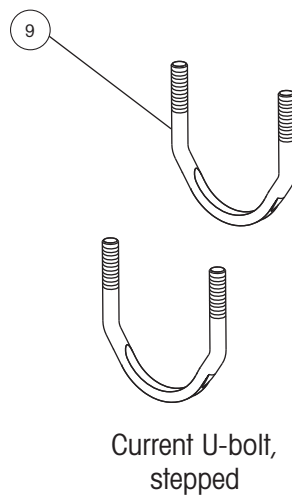
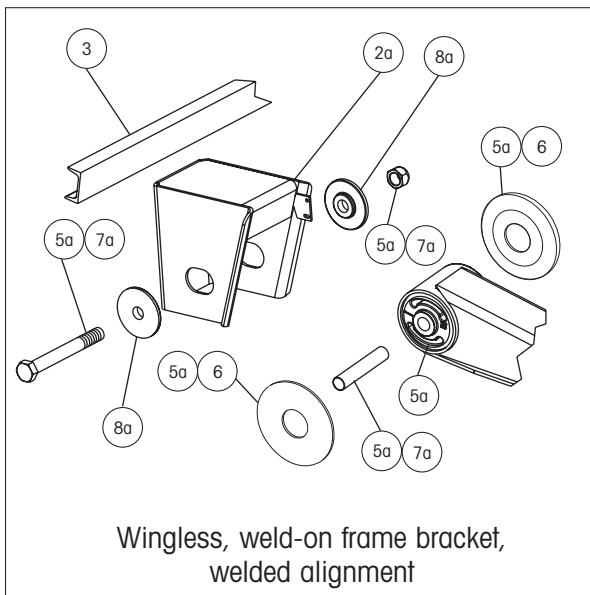
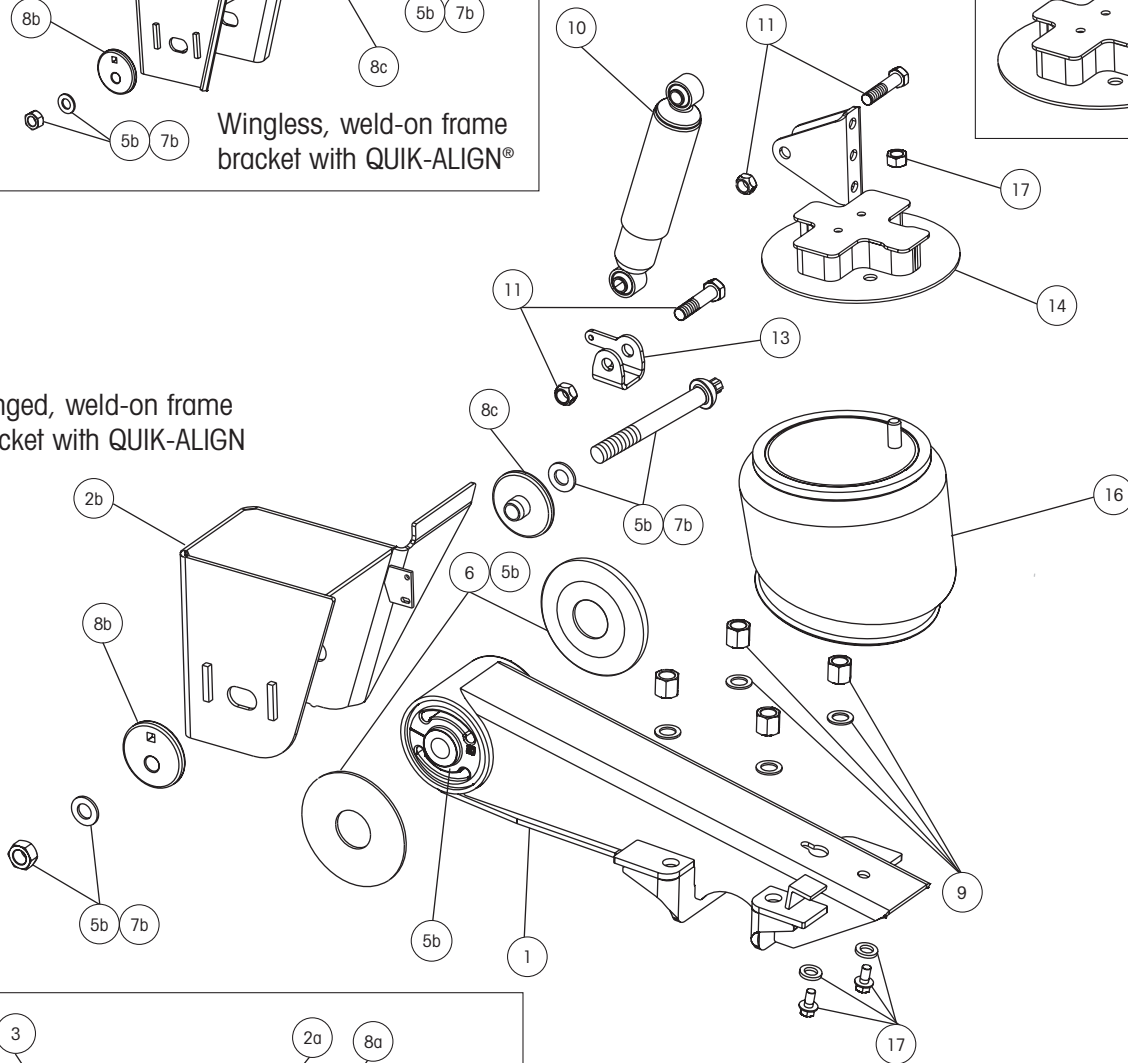
# HT190T TOP-MOUNT PARTS LIST



Picture shown may not resemble all models.



Winged, weld-on frame bracket with QUIK-ALIGN





# HT190T TOP-MOUNT PARTS LIST

ITEM	DESCRIPTION	PART NO.	QTY. PER SUSP.	FITS MODELS HT190 ? or N-HT190 ?		
<b>1</b>	<b>BEAM ASSEMBLY<sup>1</sup></b>					
	Roadside	S-20000-1	1	All models		
	Curbside	S-20000-2	1	All models		
<b>2</b>	<b>FRAME BRACKET</b>					
	<b>2a Wingless, Weld-on Welded Alignment</b>					
	Roadside	S-20064-1	1	T-14-001	T-14-002	T-14-005
	Curbside	S-20064-2	1	T-14-009	T-15-001	T-15-002
				T-15-005	T-15-009	T-15-020
	Roadside	S-20065-1	1	T-16-001	T-16-002	T-16-003
	Curbside	S-20065-2	1	T-16-005	T-16-009	T-17-001
				T-17-002	T-17-005	T-17-009
	<b>2b Winged, Weld-on QUIK-ALIGN®</b>					
	Roadside	S-21179-1	1	TA14-001	TA14-005	TA15-005
	Curbside	S-21179-2	1			
	Roadside	S-21165-1	1	TA16-005	TA17-005	
	Curbside	S-21165-2	1			
	<b>2c Wingless, Weld-on QUIK-ALIGN</b>					
	Roadside	S-21590-1	1	TB14-001	TB14-005	TB14-024
	Curbside	S-21590-2	1	TB15-001	TB15-002	TB15-005
				TB15-024		
	Roadside	S-21592-1	1	TB16-001	TB16-005	TB17-005
	Curbside	S-21592-2	1			
<b>3</b>	<b>FRAME BRACKET C-CHANNEL</b>	A-1631-19	1	All models		
<b>4</b>	<b>FRAME BRACKET GUSSET</b> (Not Shown)	S-27330	2	TA14-005	TA15-005	TA16-005
				TA17-005		
<b>5</b>	<b>TRI-FUNCTIONAL® II BUSHING KIT<sup>2</sup></b>					
	<b>5a Welded Alignment</b>	S-6914	2	Includes bushing, bushing tube spacers, cap screw, prevailing torque hex nut, liner and lube		
	<b>5b QUIK-ALIGN</b>	S-24691	2	Includes bushing, bushing tube spacers, round head bolt, prevailing torque hex nut, hardened washers and lube		
<b>6</b>	<b>BUSHING TUBE SPACER</b>	S-21099	4	All models		
<b>7</b>	<b>PIVOT BOLT KIT</b>					
	<b>7a Welded Alignment</b>	S-3646	2	Includes cap screw, prevailing torque hex nut and liner		
	<b>7b QUIK-ALIGN</b>	S-24679	2	Includes round head bolt, hardened washers and prevailing torque hex nut		
<b>8</b>	<b>ALIGNMENT COLLAR</b>					
	<b>8a Welded Alignment</b>	S-2770	4	Collars are welded to frame bracket		
	<b>8b Eccentric, QUIK-ALIGN (outer)</b>	S-20925	2	Alignment hole is off center		
	<b>8c Concentric, QUIK-ALIGN (inner)</b>	S-20924	2	Alignment hole is centered		
<b>9</b>	<b>U-BOLT KIT</b>	S-21140/4	4	Includes (1) stepped U-bolt and hardware Axle spacer is not needed with stepped U-bolt		

<sup>1</sup>Lower shock clevis (item #12) is included with beam assembly.

<sup>2</sup>Bushing tool S-21307 is required to correctly re-bush the suspension.

NOTE: Identification tag can be found on the front of the roadside frame bracket or the inside of the curbside beam.

# HT190T TOP-MOUNT PARTS LIST



ITEM	DESCRIPTION	PART NO.	QTY. PER SUSP.	FITS MODELS HT190 ? or N-HT190 ?
10	SHOCK ABSORBER	S-20001	2	All models
11	SHOCK BOLT KIT	S-20031/2	2	T-14-005 T-15-005 T-16-005 T-17-005 TA14-005 TA15-005 TA16-005 TA17-005 TB14-005 TB14-024 TB15-005 TB15-024 TB16-005 TB17-005
		S-20218/2	2	T-14-001 T-14-002 T-14-009 T-15-001 T-15-002 T-15-009 T-15-020 T-16-001 T-16-002 T-16-003 T-16-009 T-17-001 T-17-002 T-17-009 TA14-001 TB14-001 TB15-001 TB15-002 TB16-001
12	SHOCK STRAP KIT (Not Shown)	S-14587-1	1	Includes (4) nylon ties and (2) shock straps. Use with S-20001 shocks.
13	LOWER SHOCK CLEVIS <sup>3</sup>	S-20069	2	All models
14	AIR SPRING SHOCK MOUNT <sup>4</sup>			
	Roadside	C-20011-1	1	T-14-005 TA14-005 TB14-005
	Curbside	C-20011-2	1	TB14-024
	Roadside	C-20012-1	1	T-15-005 TA15-005 TB15-005
	Curbside	C-20012-2	1	TB15-024
	Roadside	C-20013-1	1	T-16-003 T-16-005 TA16-005
	Curbside	C-20013-2	1	TB16-005
	Roadside	C-20014-1	1	T-17-005 TA17-005 TB17-005
	Curbside	C-20014-2	1	
15	AIR SPRING SPACER ASSEMBLY <sup>4</sup>			Includes air spring plate and assembly
		C-20016-1	2	T-15-001 T-15-002 T-15-009 TB15-002
		C-20016-2	2	T-16-001 T-16-002 TB16-001 TB16-009
		C-20016-3	2	T-17-001 T-17-002 T-17-009
16	AIR SPRING	S-20223	2	All models
17	AIR SPRING MOUNTING KIT	S-20033/2	2	All models
18	UNIVERSAL HEIGHT CONTROL VALVE (Not Shown)	VS-227	1 <sup>5</sup>	Fits all models. Includes height control valve, exhaust line and spacer bracket.
19	UNIVERSAL LINKAGE ASSEMBLY (Not Shown)	S-14187	1 <sup>5</sup>	Includes linkage assembly and hardware
20	AUTO DUMP VALVE (Not Shown)	VS-23460	1 <sup>5</sup>	Includes dump valve and fittings
21	PRESSURE PROTECTION VALVE (Not Shown)	VS-1128	1 <sup>5</sup>	Includes valve only

<sup>3</sup> Lower shock clevis is included with beam assembly (item #1).

<sup>4</sup> Component may vary for slider suspensions based on slider box manufacturer. Contact Hendrickson for assistance.

<sup>5</sup> Quantities for air control components are per trailer.

NOTE: Identification tag can be found on the front of the roadside frame bracket or the inside of the curbside beam.

www.hendrickson-intl.com



Trailer Suspension Systems  
250 Chrysler Drive, Unit #3  
Brampton, ON Canada L6S 6B6  
905.789.1030  
Fax 905.789.1033

Trailer Suspension Systems 866.RIDEAIR (743.3247)  
2070 Industrial Place SE 330.489.0045  
Canton, OH 44707-2641 USA Fax 800.696.4416

Hendrickson Mexicana  
Av. Industria Automotriz #200  
Parque Industrial Sliva Aeropuerto  
Apodaca, N.L., México C.P. 66600  
+52 (81) 8288.1300  
Fax +52 (81) 8288.1301