

H PARTS LIST

SOFTEK® for FCCC Motorhome Chassis

LIT NO: SP-183

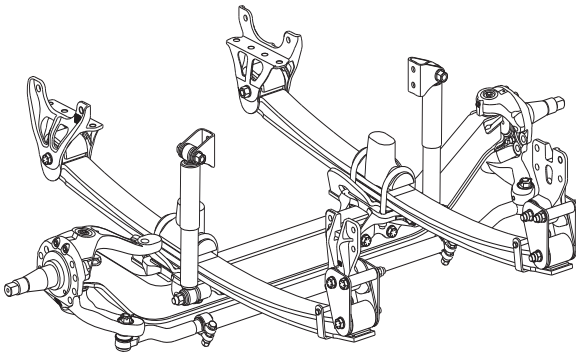
DATE: March 2012

REVISION: F

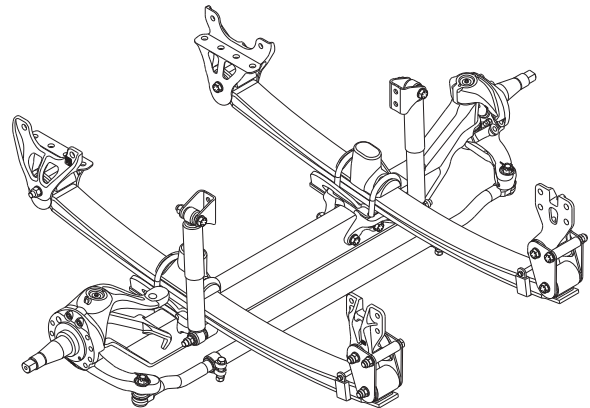
CONTENTS

DESCRIPTION	PAGE
■ SOFTEK with STEERTEK NXT Axle, Vehicles built after March 2012, 9K/10K/12K Capacity	2
■ SOFTEK with STEERTEK 1.5 Axle, Vehicles built between May 2010 and March 2012 9K/10K/12K Capacity.	4
■ SOFTEK with STEERTEK Axle, Vehicles built prior to May 2010, 9K/10K Capacity	6

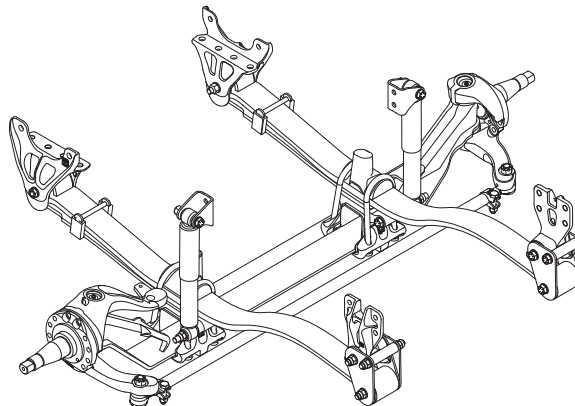
SOFTEK with STEERTEK NXT Axle



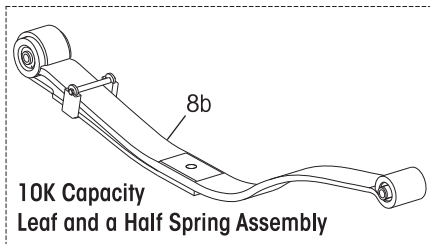
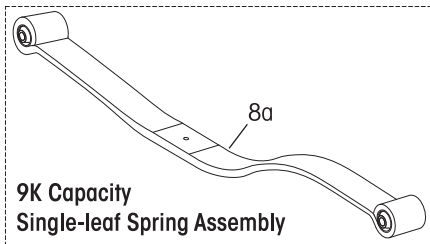
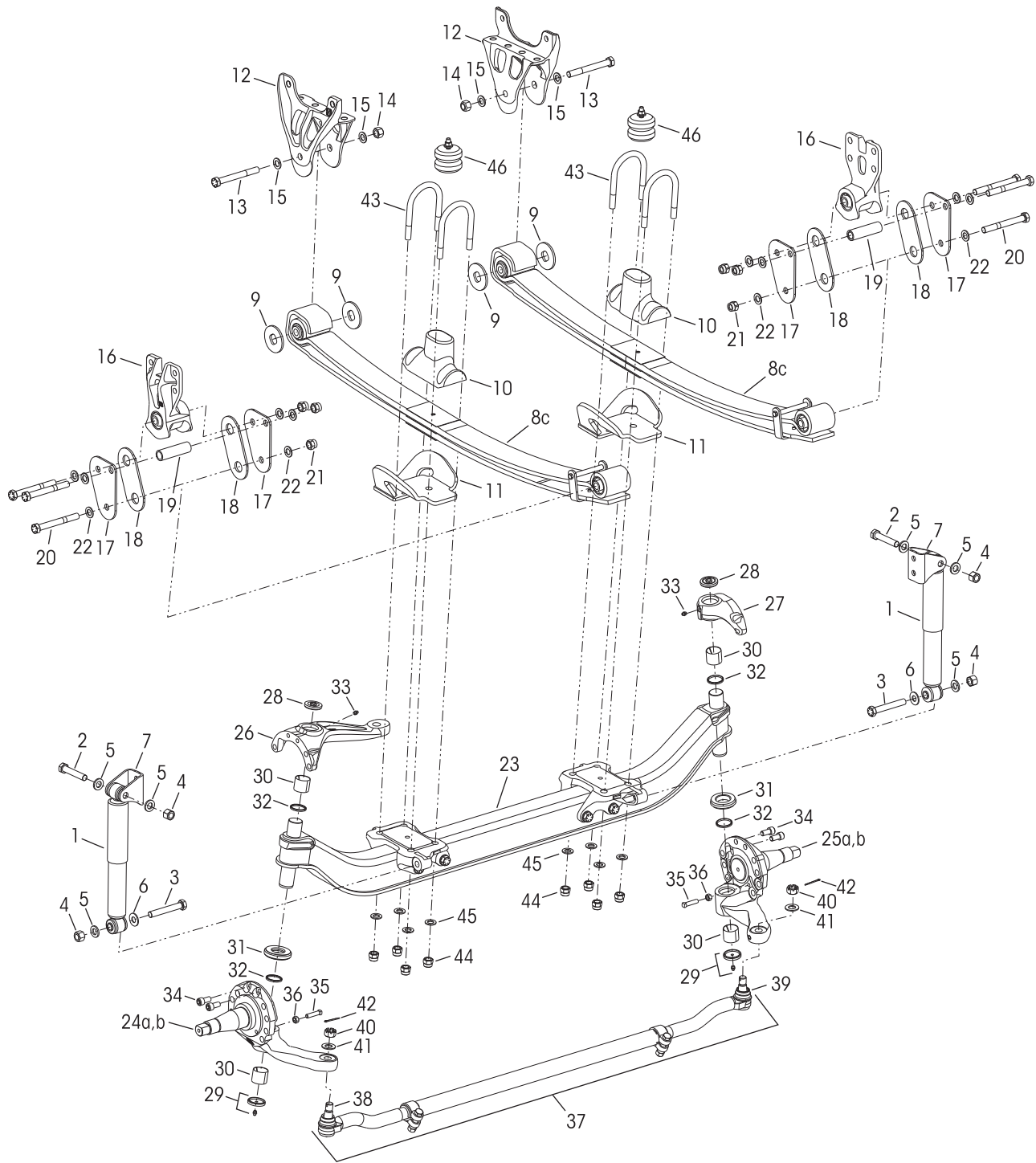
SOFTEK with STEERTEK 1.5 Axle



SOFTEK with STEERTEK Axle



■ Vehicles built with STEERTEK NXT axle after March 2012
 9K/10K/12K Capacity





SOFTEK® with STEERTEK NXT Axle for FCCC Motorhome Chassis

KEY NO.	PART NO.	DESCRIPTION	NO.REQ.	KEY NO.	PART NO.	DESCRIPTION	NO.REQ.
1		*Shock Absorber	2	26	60903-251	LH Upper Steering Knuckle Assembly	1
2		*5/8"-11 UNC Upper Shock Bolt	2	27	60904-234	RH Upper Steering Knuckle Assembly	1
3		*5/8"-11 UNC Lower Shock Bolt	2		60961-630	Kingpin Bushing and Roller Thrust Bearing Service Kit, One Side, Includes Key Nos. 28-32, 34, Loctite	
4		*5/8"-11 UNC Hex Locknut	4	28	68687-003	Grease Cap Assembly, Upper	2
5		*5/8" Hardened Washer	8	29	68687-002	Grease Cap Assembly, Lower	2
6	59946-005	Shock Spacer	2	30	58909-001	Kingpin Bushing	4
7	59423-002	Shock Bracket	2	31	64256-000	Roller Thrust Bearing	2
8		Spring Assembly, Includes Spring Eye Bushings	2	32	68731-000	Kingpin Seal	4
a	66415-002	9K, Single-leaf		33	33117-000	Grease Fitting	2
b	65710-002	10K, Leaf and a Half		34	60236-001	5/8"-11 UNC Socket Head Cap Screw	4
c	68115-001	12K, 2-Leaf		Not Shown	60937-000	Loctite® (Red) Compound Tube	1
9	67493-000	Thrust Washer - Front Hanger	4		60961-069	Stop Bolt Service Kit, One Side, Includes Key Nos. 35-36	
10	65714-000	Top Pad	2	35	60238-001	1/2"-13 UNC Square Head Bolt	2
11	68759-003	Sway Bar Bracket	2	36	60240-000	1/2"-13 UNC Hex Jam Nut	2
12	66297-000	Front Hanger	2	37	68869-001	Tie Rod Assembly, 9K/10K/12K 69 KPI, 5.36 Drop, 250 Ackermann Includes Key Nos. 38-42	1
13		*3/4"-10 UNC Bolt	2		60961-626	***Tie Rod End Service Kit, Axle Set, Includes Kit Nos. 60961-624 & 60961-625	
14		*3/4"-10 UNC Locknut	2		60961-624	***LH Tie Rod End Service Kit, Includes Key Nos. 38, 40-42	
15		*3/4" Hardened Washer	4		60961-625	***RH Tie Rod End Service Kit, Includes Key Nos. 39-42	
16	64316-000	Rear Shackle Bracket and Bushing	2	38	68935-001	***LH Tie Rod End	1
17	66413-000	Rear Shackle Plate	4	39	68935-002	***RH Tie Rod End	1
18	64159-000	Thrust Washer - Rear Hanger	4	40		**7/8" Castle Nut	2
19	60631-000	Shackle Stop Tube	2	41	22962-007	7/8" Flat Washer	2
20	58917-021	3/4"-10 UNC Hex Bolt, 6.5"	6	42	17800-004	Tie Rod Nut Cotter Pin	2
21	17700-033	3/4"-10 UNC Hex Locknut	6	43		*3/4"-16 UNC U-bolt, 6.5"	4
22	22962-001	3/4" Hardened Washer	12	44		*3/4"-16 UNC Hex Locknut	8
		STEERTEK NXT Axle Assembly, 250 Ackermann	1	45		*3/4" Hardened Washer	8
	68927-004	Equipped with Hydraulic Brake, Includes Key Nos. 23, 24a, 25a, 26-42		46		*Auxiliary Spring	2
	68927-005	Equipped with Air Brake, Includes Key Nos. 23, 24b, 25b, 26-42					
23	68926-003	Axle & Kingpin Assembly	1				
24		LH Lower Steering Knuckle Assembly, 250 Ackermann,	1				
a	58900-267	Equipped with Hydraulic Brake					
b	58900-401	Equipped with Air Brake					
25		RH Lower Steering Knuckle Assembly, 250 Ackermann,	1				
a	58900-268	Equipped with Hydraulic Brake					
b	58900-402	Equipped with Air Brake					

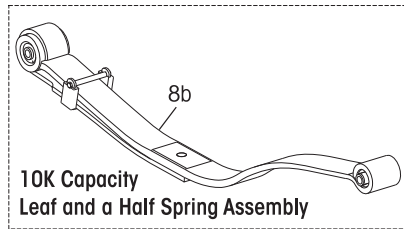
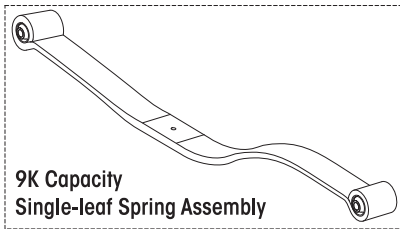
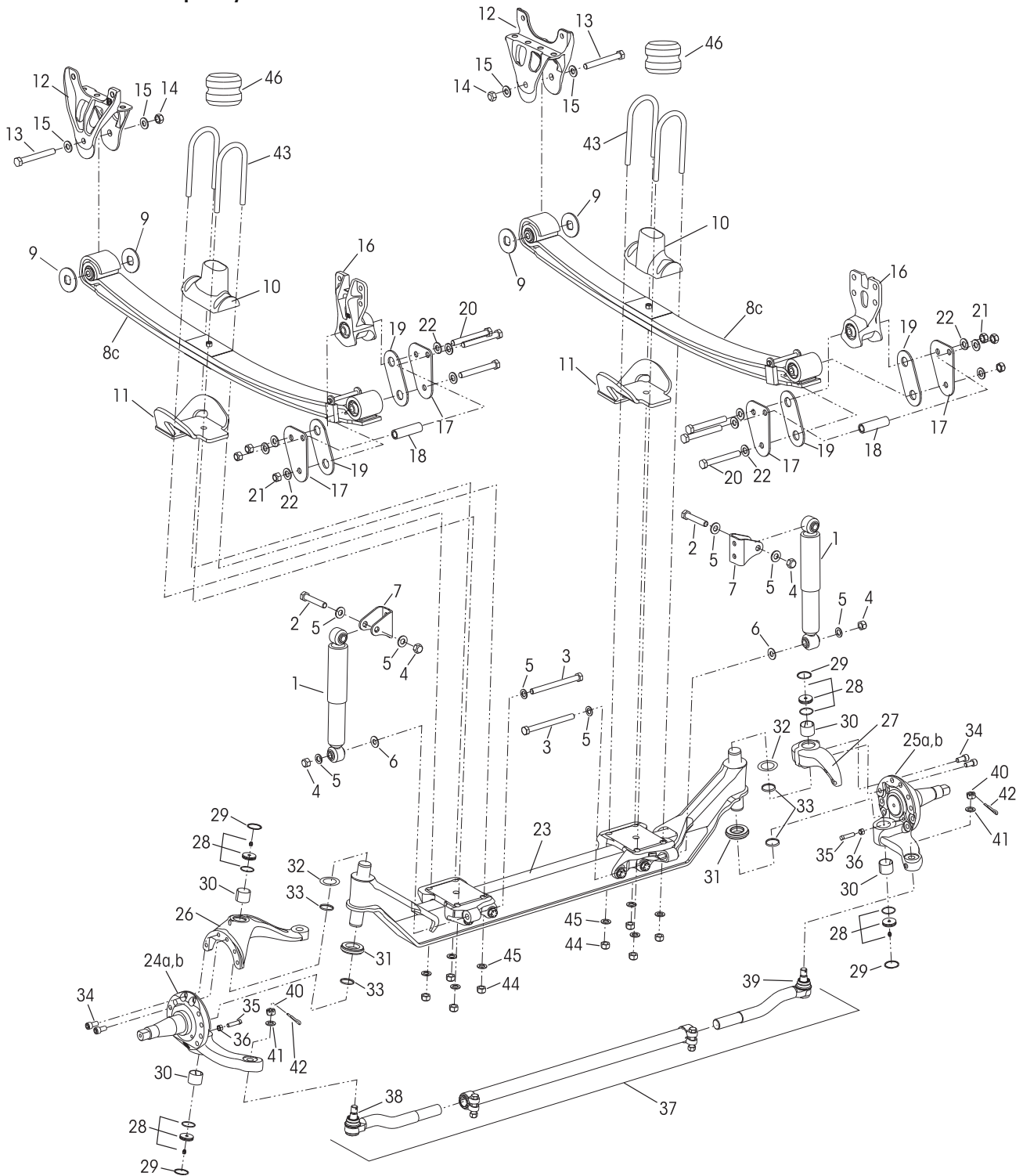
NOTE: * Not supplied by Hendrickson, used for reference only. Refer to vehicle manufacturer for more information.

Hendrickson is not responsible for components supplied by vehicle manufacturer. For assistance with maintenance and rebuild instructions on these components see vehicle manufacturer.

** Item included in assembly only, part not sold separately.

*** The FCCC tie rod assembly is designed for use on a mechanical suspension with hydraulic brakes, it is not designed for vehicles with air brakes. Hendrickson supplies different tie rod assemblies and each type may take a different replacement tie rod end kit to service. Prior to ordering find the part number on the tie rod tube, see Hendrickson Publication No. SEU-0223 or contact Hendrickson Sales Engineering for corresponding kit numbers.

■ Vehicles built with STEERTEK 1.5 axle between May 2010 and March 2012
 9K/10K/12K Capacity





SOFTEK® with STEERTEK 1.5 Axle for FCCC Motorhome Chassis

KEY NO.	PART NO.	DESCRIPTION	NO.REQ.	KEY NO.	PART NO.	DESCRIPTION	NO.REQ.
1		*Shock Absorber	2	26	60903-051	LH Upper Steering Knuckle Assembly	1
2		*5/8"-11 UNC Upper Shock Bolt	2	27	60904-034	RH Upper Steering Knuckle Assembly	1
3		*5/8"-11 UNC Lower Shock Bolt	2		60961-039	Kingpin Bushing w/Roller Thrust Bearing Service Kit, One Wheel End, Includes Key Nos.28-34 and Loctite	
4		*5/8"-11 UNC Hex Locknut	4	28	59156-000	Grease Cap Assembly	4
5		*5/8" Hardened Washer	8	29	58937-000	Retaining Ring	4
6	59946-005	Shock Spacer	2	30	58909-000	Kingpin Bushing	4
7	59423-002	Shock Bracket	2		60961-042	Roller Thrust Bearing Service Kit, One Wheel End, Includes Key Nos. 31-34 and Loctite	
8		Spring Assembly, Includes Spring Eye Bushings	2	31	64256-000	Roller Thrust Bearing	2
a	66415-002	9K, Single-leaf		32		Kingpin Shim (As required)	
b	65710-002	10K, Leaf and a Half			60259-001	0.005" Thickness	4
c	68115-001	12K, 2-Leaf			60259-002	0.047" Thickness	1
9	67493-000	Thrust Washer - Front Hanger	4	33	58910-001	Kingpin Seal	4
10	65714-000	Top Pad	2	34	60236-001	5/8" Socket Head Cap Screw	4
11	68759-003	Sway Bar Bracket	2	Not Shown	60937-000	Loctite (Red) Compound Tube	2
12	66297-000	Front Hanger	2		60961-069	Stop Bolt Service Kit, One Side, Includes Key Nos. 35-36	
13		*3/4"-10 UNC Bolt	2	35	60238-001	1/2"-13 UNC Square Head Bolt	2
14		*3/4"-10 UNC Locknut	2	36	60240-000	1/2"-13 UNC Hex Jam Nut	2
15		*3/4" Hardened Washer	4	37	68869-001	Tie Rod Assembly, 9K/10K/12K 69 KPI, 5.36 Drop, 250 Ackermann Includes Key Nos. 38-42	1
16	64316-000	Rear Shackle Bracket and Bushing	2		60961-626	***Tie Rod End Service Kit, Axle Set, Includes Kit Nos. 60961-624 & 60961-625	
17	66413-000	Rear Shackle Plate	4		60961-624	***LH Tie Rod End Service Kit, Includes Key Nos. 38, 40-42	
18	60631-000	Shackle Stop Tube	2		60961-625	***RH Tie Rod End Service Kit, Includes Key Nos. 39-42	
19	64159-000	Thrust Washer - Rear Hanger	4	38	68935-001	***LH Tie Rod End	1
20	58917-021	3/4"-10 UNC Hex Bolt, 6.5"	6	39	68935-002	***RH Tie Rod End	1
21	17700-033	3/4"-10 UNC Hex Locknut	6	40		**7/8" Castle Nut	2
22	22962-001	3/4" Hardened Washer	12	41	22962-007	7/8" Flat Washer	2
	66928-004	STEERTEK 1.5 Axle Assembly, 250 Ackermann Equipped with Hydraulic Brake, Includes Key Nos. 23,24a,25a,26-42	1	42	17800-004	Tie Rod Nut Cotter Pin	2
	66928-005	Equipped with Air Brake, Includes Key Nos. 23,24b,25b,26-42	1	43		*3/4"-16 UNC U-bolt, 6.5"	4
23	66926-002	Axle & Kingpin Assembly	1	44		*3/4"-16 UNC Hex Locknut	8
24		LH Lower Steering Knuckle Assembly, 250 Ackermann,	1	45		*3/4" Hardened Washer	8
a	58900-067	Equipped with Hydraulic Brake		46		*Auxiliary Spring	2
b	58900-095	Equipped with Air Brake					
25		RH Lower Steering Knuckle Assembly, 250 Ackermann,	1				
a	58900-068	Equipped with Hydraulic Brake					
b	58900-096	Equipped with Air Brake					

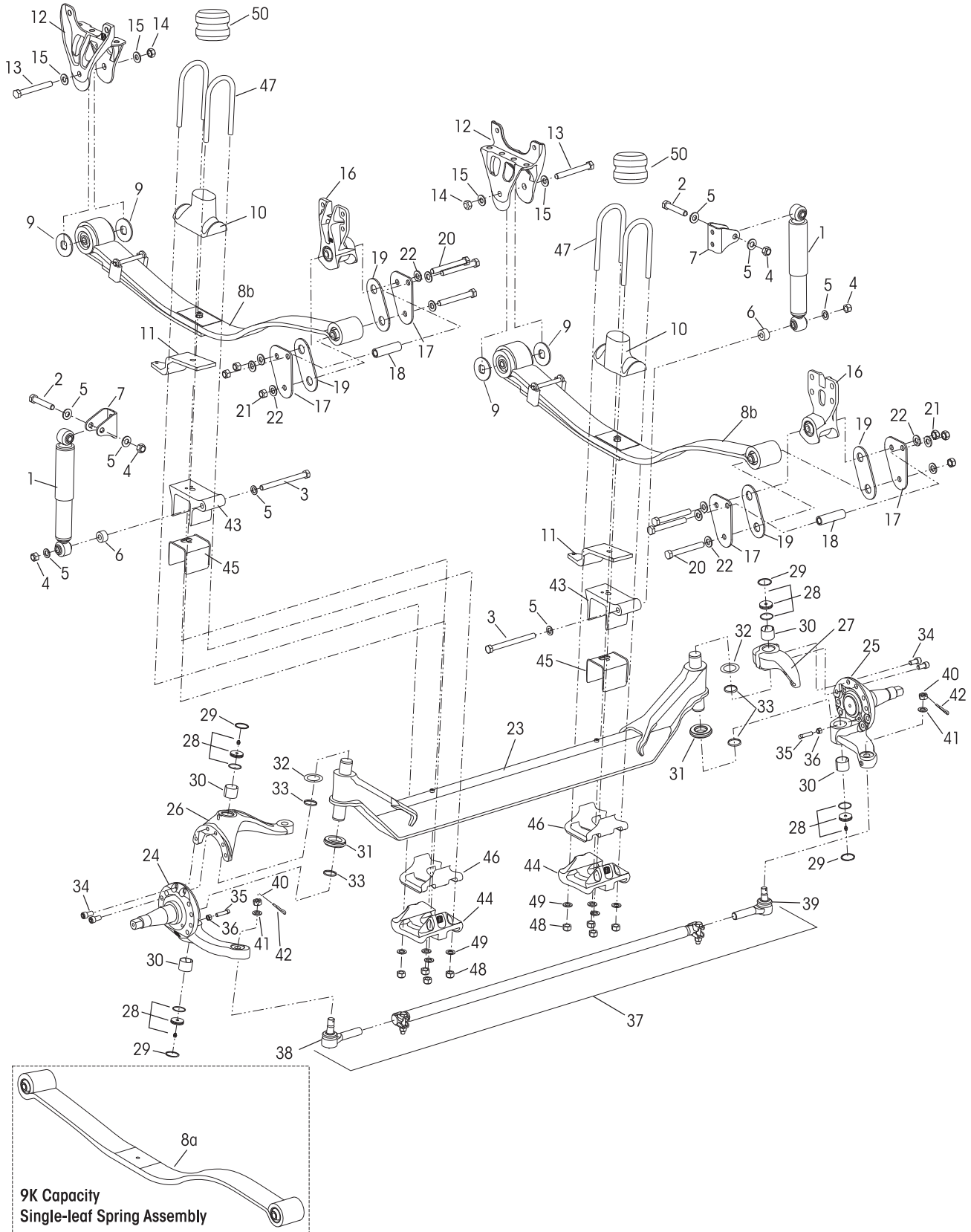
NOTE: * Not supplied by Hendrickson, used for reference only. Refer to vehicle manufacturer for more information.

Hendrickson is not responsible for components supplied by vehicle manufacturer. For assistance with maintenance and rebuild instructions on these components see vehicle manufacturer.

** Item included in assembly only, part not sold separately.

*** The FCCC tie rod assembly is designed for use on a mechanical suspension with hydraulic brakes, it is not designed for vehicles with air brakes. Hendrickson supplies different tie rod assemblies and each type may take a different replacement tie rod end kit to service. Prior to ordering find the part number on the tie rod tube, see Hendrickson Publication No. SEU-0223 or contact Hendrickson Sales Engineering for corresponding kit numbers.

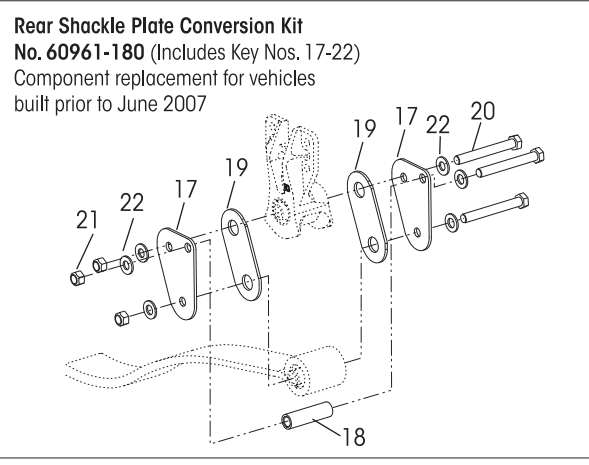
■ Vehicles built with STEERTEK axle prior to May 2010
 9K/10K Capacity





SOFTEK® with STEERTEK Axle for FCC Motorhome Chassis

KEY NO.	PART NO.	DESCRIPTION	NO.REQ.	KEY NO.	PART NO.	DESCRIPTION	NO.REQ.
1		*Shock Absorber	2	32		Kingpin Shim (As required)	
2		*5/8"-11 UNC Upper Shock Bolt	2		60259-001	0.005" Thickness	4
3		*5/8"-11 UNC Lower Shock Bolt	2		60259-002	0.047" Thickness	1
4		*5/8"-11 UNC Hex Locknut	4	33	58910-001	Kingpin Seal, <i>Replaces 58910-000</i>	4
5		*5/8" Hardened Washer	8	34	60236-001	5/8" Socket Head Cap Screw	4
6	59946-002	Shock Spacer	2	Not Shown	60937-000	Loctite (Red) Compound Tube	2
7	59423-002	Shock Bracket	2		60961-069	Stop Bolt Service Kit, One Side, Includes Key Nos. 35-36	
8		Spring Assembly, Includes Spring Eye Bushings	2	35	60238-001	1/2"-13 UNC Square Head Bolt	2
a	66415-002	9K, Single-leaf		36	60240-000	1/2"-13 UNC Hex Jam Nut	2
b	65710-002	10K, <i>Replaces 65710-001</i>		37	60239-007	Tie Rod Assembly, 9/10K, 69 KPI, 5.36 Drop, 250 Ackermann, Includes Key Nos. 38-42, <i>Replaces 64801-006</i>	1
9	67493-000	Thrust Washer - Front Hanger <i>Replaces 65899-000</i>	4		60961-010	****Tie Rod End Service Kit, Axle Set, Includes Kit Nos. 60961-025 & -026 <i>Replaces 60961-081</i>	
10	65925-000	Top Pad	2	60961-025	****LH Tie Rod End Service Kit, Includes Key Nos. 38, 40-42, <i>Replaces 60961-083</i>		
11	66233-001	Sway Bar Bracket	2	60961-026	****RH Tie Rod End Service Kit, Includes Key Nos. 39-42, <i>Replaces 60961-084</i>		
12	66297-000	Front Hanger, <i>Replaces 65711-000</i>	2	38	64000-001	****LH Tie Rod End, <i>Replaces 65033-001</i>	1
13		*3/4"-10 UNC Bolt	2	39	64000-002	****RH Tie Rod End, <i>Replaces 65033-002</i>	1
14		*3/4"-10 UNC Locknut	2	40		***7/8" Castle Nut	2
15		*3/4" Hardened Washer	4	41	22962-007	7/8" Flat Washer	2
16	64316-000	Rear Shackle Bracket and Bushing	2	42	17800-004	Tie Rod Nut Cotter Pin	2
17	66413-000	Rear Shackle Plate **Rear Shackle Plate 64314-000, Replace with Conversion Kit No. 60961-180	4	43	59952-024	Top Axle Wrap	2
18	60631-000	Shackle Stop Tube	2	44	64723-002	Bottom Axle Wrap	2
19	64159-000	Thrust Washer - Rear Hanger	4	45	60508-000	Top Axle Wrap Liner	2
20	58917-021	3/4"-10 UNC Hex Bolt, 6.5"	6	46	59845-000	Bottom Axle Wrap Liner	2
21	17700-033	3/4"-10 UNC Hex Locknut	6	47		*3/4"-16 UNC U-bolt, 10.0"	4
22	22962-001	3/4" Hardened Washer	12	48		*3/4"-16 UNC Hex Locknut	8
	70952-XXX	STEERTEK Axle Assembly, Includes Key Nos. 23-46. Contact Hendrickson Tech Services for Part No.	1	49		*3/4" Hardened Washer	8
23	64905-004	Axle & Kingpin Assembly	1	50		*Auxiliary Spring	2
24		LH Lower Steering Knuckle Assembly	1				
		• 200 Ackermann					
	58900-063	Equipped with Hydraulic Brake					
		• 250 Ackermann					
	58900-067	Equipped with Hydraulic Brake					
	58900-001	Equipped with Air Brake					
25		RH Lower Steering Knuckle Assembly	1				
		• 200 Ackermann					
	58900-064	Equipped with Hydraulic Brake					
		• 250 Ackermann					
	58900-068	Equipped with Hydraulic Brake					
	58900-002	Equipped with Air Brake					
26	60903-051	LH Upper Steering Knuckle Assembly	1				
27	60904-034	RH Upper Steering Knuckle Assembly	1				
	60961-039	Kingpin Bushing w/Roller Thrust Bearing Service Kit, One Wheel End, Includes Key Nos. 28-34 and Loctite					
28	59156-000	Grease Cap Assembly	4				
29	58937-000	Retaining Ring	4				
30	58909-000	Kingpin Bushing	4				
	60961-042	Roller Thrust Bearing Service Kit, One Wheel End, Includes Key Nos. 31-34 and Loctite					
31	64256-000	Roller Thrust Bearing	2				



NOTE: * Not supplied by Hendrickson, used for reference only. Refer to vehicle manufacturer for more information.
Hendrickson is not responsible for components supplied by vehicle manufacturer. For assistance with maintenance and rebuild instructions on these components see vehicle manufacturer.

** No longer available. See Rear Shackle Plate Conversion Kit No. 60961-180.

*** Item included in assembly only, part not sold separately.

**** The FCCC tie rod assembly is designed for use on a mechanical suspension with hydraulic brakes, it is not designed for vehicles with air brakes. Hendrickson supplies different tie rod assemblies and each type may take a different replacement tie rod end kit to service. Prior to ordering find the part number on the tie rod tube, see Hendrickson Publication No. SEU-0223 or contact Hendrickson Sales Engineering for corresponding kit numbers.

This is a general parts list to provide directional information. Components may vary by model. Questions in regards to parts, contact Hendrickson Truck Parts at 1.866.755.5968 (Toll-free U.S. and Canada), 630.910.2800 (Outside U.S. and Canada) or e-mail: truckparts@hendrickson-intl.com.

www.hendrickson-intl.com



Truck Commercial Vehicle Systems
800 South Frontage Road
Woodridge, IL 60517-4904 USA

1.866.755.5968 (Toll-free U.S. and Canada)
630.910.2800 (Outside U.S. and Canada)
Fax 630.910.2899